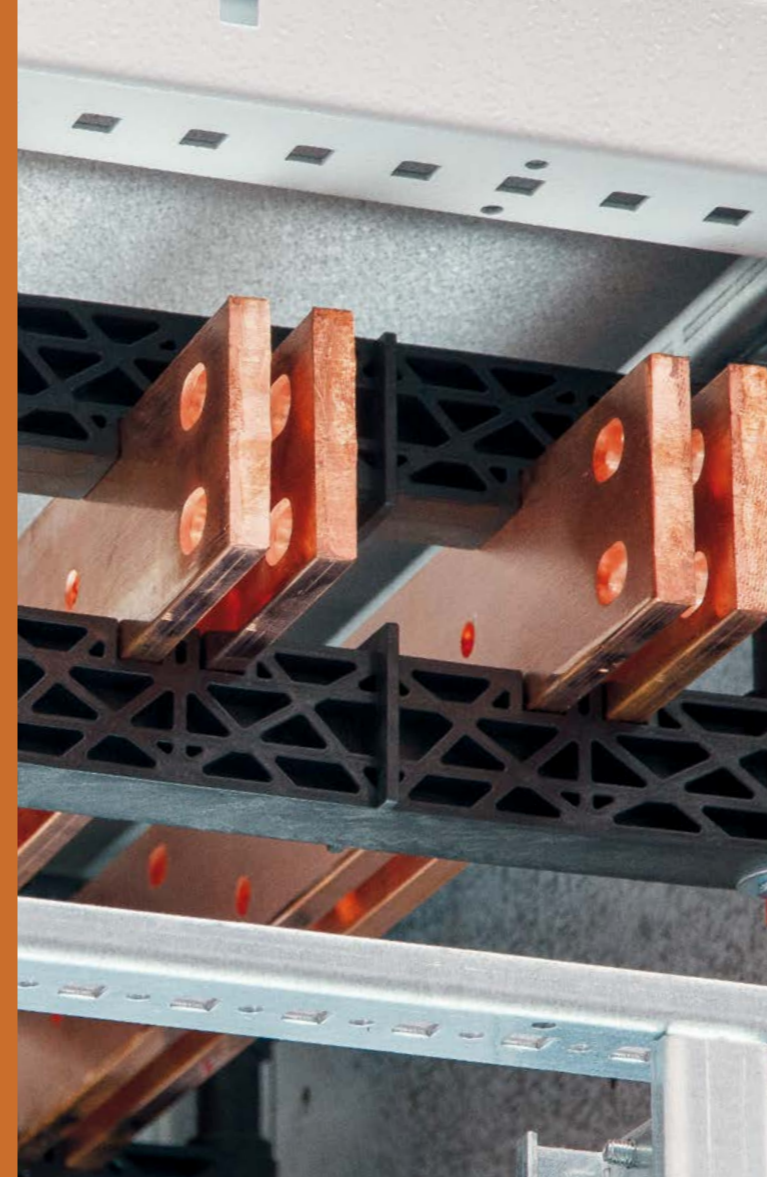


# ISOLATORI LINEARI COMPONIBILI

**Alcu**<sup>®</sup>  
SYSTEM



## PORTA BARRE LINEAR PER BARRE IN RAME O ALLUMINIO

ISOLATORI LINEARI COMPONIBILI

Portabarre lineari realizzati per supportare barre in rame o alluminio fino a 4000 A con portabarre singolo e fino a 6300 A con portabarre in parallelo. Realizzati in poliammide, gli isolatori Linear sono formati da 2 pezzi uguali completi di distanziali e di viti di fissaggio in modo da rendere il montaggio un'operazione estremamente veloce. Il sistema è posizionabile sottotetto, nella parte posteriore del quadro o lateralmente.

#### VANTAGGI

- Velocità di assemblaggio
- Funzionale
- Robusto

#### CARATTERISTICHE TECNICHE

- Poliammide 6/6 rinforzato con fibra di vetro
- Autoestinguenza: UL 94-V0
- Temperatura di esercizio continuo: 113° C
- Glow wire test: 965° C
- Colore nero

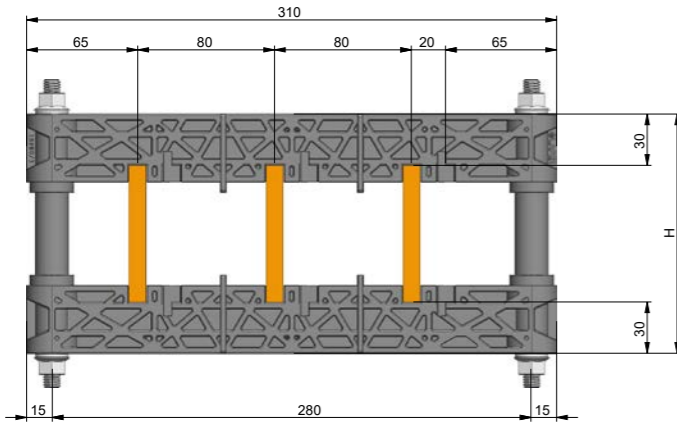


#### CERTIFICAZIONI

<b>B5002265</b>	Verifica della tenuta al corto circuito dei circuiti principali Verifica dell'efficienza del circuito di protezione Verifica della tenuta del corto circuito del circuito di protezione	Inom=6300A Icc=105 kA
<b>B7001848</b>	Verifica della tenuta al corto circuito dei circuiti principali	Inom=3200A Icc=105 kA
<b>B8020496</b>	Verifica della tenuta al corto circuito dei circuiti principali	Inom=6300A Icc=105 kA

## PORTABARRE LINEAR TRIPOLARE PER BARRA IN RAME (INTERASSE FASI 80 MM)

Isolatore tripolare per sostegno barre in rame da 630A a 2500A



CODICE	CONTENUTO	PESO (kg)	DIM. BARRA (HXSP)	H (MM)	In (A)
IS36308CU1/C	cod. ISP80/3/C, cod. AB/10C cod. TUB202/C	1,1	40x10	100	630
IS38008CU1/C	cod. ISP80/3/C, cod. AB/10C cod. TUB302/C	1,1	50x10	110	800
IS31008CU1/C	cod. ISP80/3/C, cod. AB/10C cod. TUB402/C	1,1	60x10	120	1000
IS31208CU1/C	cod. ISP80/3/C, cod. AB/10C cod. TUB602/C	1,1	80x10	140	1250
IS31608CU1/C	cod. ISP80/3/C, cod. AB/10C cod. TUB802/C	1,2	100x10	160	1600
IS31808CU1/C	cod. ISP80/3/C, cod. AB/10C cod. TUB102/C	1,2	120x10	180	1800
IS32008CU1/C	cod. ISP80/3/C, cod. AB/10C cod. TUB142/C	1,3	160x10	220	2000
IS32508CU1/C	cod. ISP80/3/C, cod. AB/10C cod. TUB182/C	1,4	200x10	260	2500

TABELLA INTERASSE PORTABARRE								
I.Nom	630A	800A	1000A	1250A	1600A	1800A	2000A	2500A
Interasse Max	lcc	lcc	lcc	lcc	lcc	lcc	lcc	lcc
1000mm	16 kA	16 kA	20 kA	20 kA	25 kA	25 kA	30 kA	35 kA
950mm	16 kA	16 kA	20 kA	20 kA	25 kA	30 kA	35 kA	35 kA
900mm	16 kA	16 kA	20 kA	20 kA	25 kA	30 kA	35 kA	40 kA
850mm	16 kA	16 kA	20 kA	20 kA	25 kA	30 kA	35 kA	40 kA
800mm	20 kA	20 kA	25 kA	25 kA	30 kA	35 kA	40 kA	45 kA
750mm	25 kA	25 kA	25 kA	30 kA	35 kA	40 kA	40 kA	45 kA
700mm	25 kA	25 kA	25 kA	30 kA	35 kA	45 kA	40 kA	45 kA
650mm	25 kA	25 kA	25 kA	30 kA	35 kA	45 kA	45 kA	50 kA
600mm	25 kA	30 kA	30 kA	35 kA	40 kA	40 kA	50 kA	55 kA
550mm	25 kA	30 kA	35 kA	40 kA	45 kA	50 kA	55 kA	55 kA
500mm	30 kA	35 kA	40 kA	45 kA	50 kA	55 kA	60 kA	60 kA
450mm	35 kA	40 kA	45 kA	50 kA	55 kA	60 kA	70 kA	70 kA
400mm	40 kA	45 kA	50 kA	55 kA	60 kA	70 kA	75 kA	75 kA
350mm	45 kA	50 kA	55 kA	65 kA	70 kA	80 kA	80 kA	80 kA
300mm	50 kA	60 kA	65 kA	75 kA	85 kA	85 kA	85 kA	85 kA
250mm	60 kA	70 kA	75 kA	85 kA				
200mm	80 kA	85 kA	85 kA					
Codice	IS36308CU1/C	IS3808CU1/C	IS31008CU1/C	IS31208CU1/C	IS31608CU1/C	IS31808CU1/C	IS32008CU1/C	IS32508CU1/C

## SUPPORTO BASE TRIPOLARE (INTERASSE FASI 80 MM)

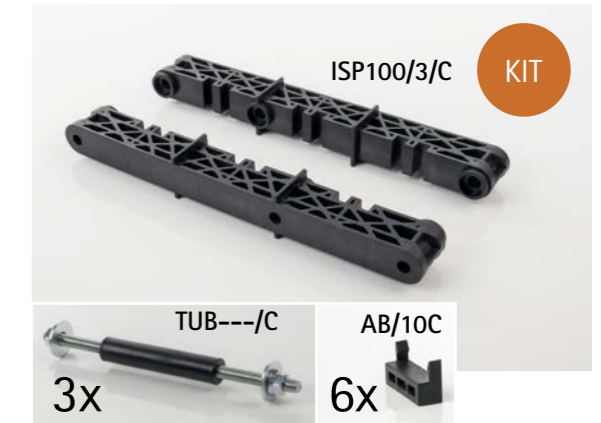
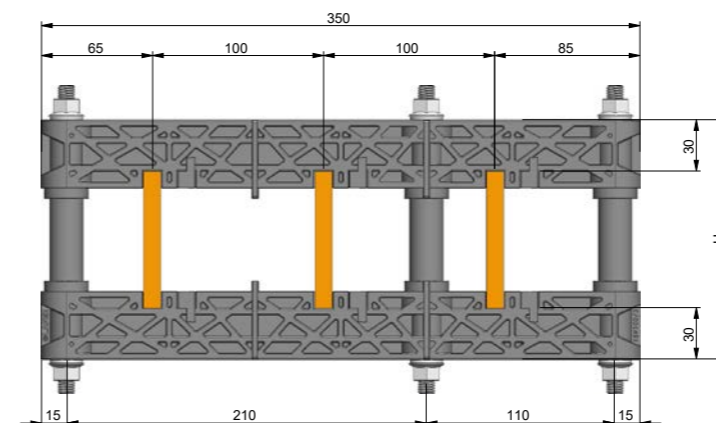
Supporto inferiore da 630A a 2500A

CODICE	CONTENUTO	PESO (kg)	In (A)
ISB308CU/C	1	1,4	Da 630A a 2500A



## PORTABARRE LINEAR TRIPOLARE PER BARRA IN RAME (INTERASSE FASI 100 MM)

Isolatore tripolare per sostegno barre in rame da 630A a 2500A



CODICE	CONTENUTO	PESO (kg)	DIM. BARRA (HXSP)	H (MM)	In (A)
IS36310CU1/C	cod. ISP100/3/C, cod. AB/10C cod. TUB203/C	1,3	40x10	100	630
IS3810CU1/C	cod. ISP100/3/C, cod. AB/10C cod. TUB303/C	1,3	50x10	110	800
IS31010CU1/C	cod. ISP100/3/C, cod. AB/10C cod. TUB403/C	1,4	60x10	120	1000
IS31210CU1/C	cod. ISP100/3/C, cod. AB/10C cod. TUB603/C	1,5	80x10	140	1250
IS31610CU1/C	cod. ISP100/3/C, cod. AB/10C cod. TUB803/C	1,5	100x10	160	1600
IS32010CU1/C	cod. ISP100/3/C, cod. AB/10C cod. TUB143/C	1,7	160x10	220	2000
IS32510CU1/C	cod. ISP100/3/C, cod. AB/10C cod. TUB183/C	1,8	200x10	260	2500

TABELLA INTERASSE PORTABARRE							
I.Nom	630A	800A	1000A	1250A	1600A	2000A	2500A
Interasse Max	lcc	lcc	lcc	lcc	lcc	lcc	lcc
1000mm	16 kA	20 kA	20 kA	25 kA	25 kA	35 kA	35 kA
950mm	20 kA	25 kA	25 kA	25 kA	30 kA	35 kA	35 kA
900mm	20 kA	25 kA	25 kA	25 kA	30 kA	40 kA	40 kA
850mm	20 kA	25 kA	25 kA	25 kA	30 kA	40 kA	40 kA
800mm	20 kA	25 kA	25 kA	30 kA	35 kA	45 kA	45 kA
750mm	25 kA	25 kA	30 kA	35 kA	35 kA	45 kA	45 kA
700mm	25 kA	30 kA	30 kA	35 kA	40 kA	50 kA	50 kA
650mm	25 kA	30 kA	30 kA	35 kA	40 kA	50 kA	50 kA
600mm	30 kA	35 kA	35 kA	40 kA	45 kA	50 kA	50 kA
550mm	30 kA	35 kA	40 kA	45 kA	50 kA	60 kA	60 kA
500mm	35 kA	40 kA	45 kA	50 kA	55 kA	65 kA	65 kA
450mm	40 kA	45 kA	50 kA	55 kA	60 kA	80 kA	80 kA
400mm	45 kA	50 kA	55 kA	60 kA	70 kA	85 kA	85 kA
350mm	50 kA	55 kA	60 kA	70 kA	80 kA	95 kA	95 kA
300mm	60 kA	65 kA	70 kA	85 kA	95 kA	100 kA	100 kA
250mm	70 kA	80 kA	85 kA	100 kA	105 kA	105 kA	105 kA
200mm	85 kA	100 kA	105 kA				
Codice	IS36310CU1/C	IS3810CU1/C	IS31010CU1/C	IS31210CU1/C	IS31610CU1/C	IS32010CU1/C	IS32510CU1/C

## SUPPORTO BASE TRIPOLARE (INTERASSE FASI 100 MM)

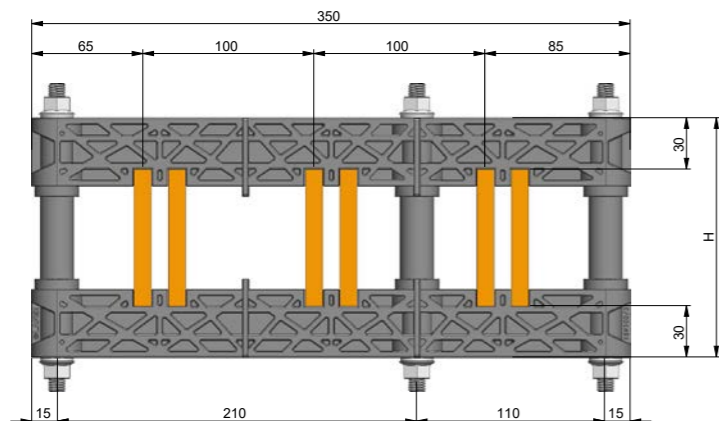
Supporto inferiore barre in rame da 630A a 2500A

CODICE	CONTENUTO	PESO (kg)	In (A)
ISB310CU/C	1	1,6	da 630A a 2500A



## PORTABARRE LINEAR TRIPOLARE PER DOPPIA BARRA IN RAME (INTERASSE FASI 100 MM)

Isolatore tripolare per sostegno doppia barre in rame da 1600A a 4300A



CODICE	CONTENUTO	PESO (kg)	DIM. BARRA (HXSP)	H (MM)	In (A)
IS31610CU2/C	cod. ISP100/3/C cod. TUB303/C	1,3	50x10	110	1600
IS31810CU2/C	cod. ISP100/3/C cod. TUB403/C	1,3	60x10	120	1800
IS32010CU2/C	cod. ISP100/3/C cod. TUB603/C	1,4	80x10	140	2000
IS32510CU2/C	cod. ISP100/3/C cod. TUB803/C	1,4	100x10	160	2500
IS33210CU2/C	cod. ISP100/3/C cod. TUB103/C	1,5	120x10	180	3000
IS33610CU2/C	cod. ISP100/3/C cod. TUB143/C	1,7	160x10	220	3600
IS34310CU2/C	cod. ISP100/3/C cod. TUB183/C	1,8	200x10	260	4300

I.Nom	1600A	1800A	2000A	2500A	3000A	3600A	4300A
Interasse Max	lcc	lcc	lcc	lcc	lcc	lcc	lcc
1000mm	20 kA	20 kA	25 kA	30 kA	35 kA	40 kA	50 kA
950mm	20 kA	20 kA	25 kA	30 kA	35 kA	45 kA	50 kA
900mm	20 kA	20 kA	25 kA	35 kA	40 kA	45 kA	55 kA
850mm	20 kA	20 kA	25 kA	35 kA	40 kA	45 kA	55 kA
800mm	20 kA	25 kA	30 kA	40 kA	45 kA	50 kA	60 kA
750mm	25 kA	30 kA	35 kA	40 kA	45 kA	50 kA	65 kA
700mm	25 kA	30 kA	35 kA	45 kA	45 kA	50 kA	70 kA
650mm	25 kA	30 kA	40 kA	45 kA	45 kA	55 kA	70 kA
600mm	30 kA	35 kA	45 kA	50 kA	55 kA	60 kA	75 kA
550mm	30 kA	35 kA	45 kA	55 kA	60 kA	65 kA	75 kA
500mm	35 kA	40 kA	50 kA	60 kA	70 kA	70 kA	80 kA
450mm	40 kA	45 kA	55 kA	65 kA	75 kA	75 kA	90 kA
400mm	45 kA	50 kA	65 kA	75 kA	85 kA	95 kA	95 kA
350mm	50 kA	60 kA	75 kA	85 kA	90 kA	100 kA	100 kA
300mm	60 kA	70 kA	85 kA	100 kA	105 kA	105 kA	105 kA
250mm	70 kA	85 kA	105 kA	105 kA			
200mm	90 kA	105 kA					
Codice	IS31610CU2/C	IS31810CU2/C	IS32010CU2/C	IS32510CU2/C	IS33210CU2/C	IS33610CU2/C	IS34310CU2/C

## SUPPORTO BASE TRIPOLARE DOPPIA BARRA (INTERASSE FASI 100 MM)

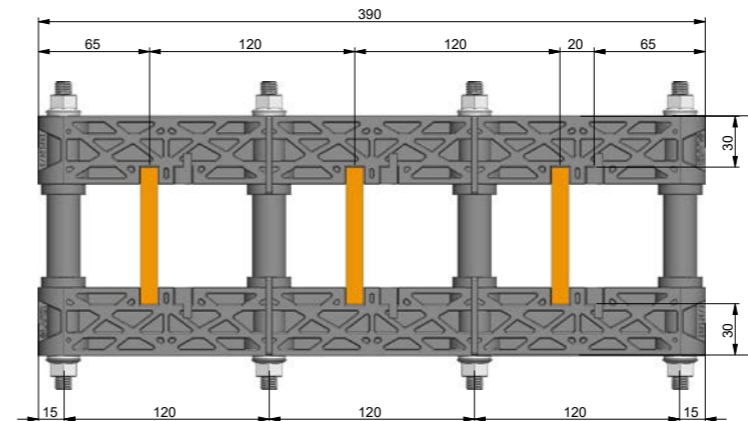
Supporto inferiore doppia barra da 1600A a 4300A

CODICE	CONTENUTO	PESO (kg)	In (A)
ISB310CU/C	1	1,6	da 1600A a 4300A



## PORTABARRE LINEAR TRIPOLARE PER BARRA IN RAME (INTERASSE FASI 120 MM)

Isolatore tripolare per sostegno barre in rame da 630A a 1600A



CODICE	CONTENUTO	PESO (kg)	DIM. BARRA (HXSP)	H (MM)	In (A)
IS36312CU1/C	cod. ISP120/3/C, cod. AB/10C cod. TUB304/C	1,6	40x10	100	630
IS38012CU1/C	cod. ISP120/3/C, cod. AB/10C cod. TUB304/C	1,6	50x10	110	800
IS31012CU1/C	cod. ISP120/3/C, cod. AB/10C cod. TUB404/C	1,6	60x10	120	1000
IS31212CU1/C	cod. ISP120/3/C, cod. AB/10C cod. TUB604/C	1,7	80x10	140	1250
IS31612CU1/C	cod. ISP120/3/C, cod. AB/10C cod. TUB804/C	1,8	100x10	160	1600

I.Nom	630A	800A	1000A	1250A	1600A
Interasse Max	lcc	lcc	lcc	lcc	lcc
1000mm	20 kA	20 kA	25 kA	25 kA	30 kA
950mm	20 kA	20 kA	25 kA	30 kA	30 kA
900mm	20 kA	20 kA	25 kA	30 kA	35 kA
850mm	20 kA	20 kA	25 kA	30 kA	35 kA
800mm	25 kA	25 kA	30 kA	35 kA	40 kA
750mm	25 kA	25 kA	30 kA	35 kA	40 kA
700mm	25 kA	25 kA	35 kA	40 kA	45 kA
650mm	25 kA	25 kA	35 kA	40 kA	45 kA
600mm	30 kA	30 kA	40 kA	45 kA	50 kA
550mm	35 kA	35 kA	45 kA	50 kA	55 kA
500mm	40 kA	40 kA	50 kA	55 kA	60 kA
450mm	45 kA	45 kA	55 kA	60 kA	65 kA
400mm	50 kA	50 kA	60 kA	70 kA	75 kA
350mm	55 kA	55 kA	65 kA	80 kA	85 kA
300mm	65 kA	65 kA	80 kA	90 kA	100 kA
250mm	75 kA	75 kA	95 kA	100 kA	100 kA
200mm	95 kA	95 kA	105 kA	105 kA	105 kA
Codice	IS36312CU1/C	IS38012CU1/C	IS31012CU1/C	IS31212CU1/C	IS31612CU1/C

## SUPPORTO BASE TRIPOLARE (INTERASSE FASI 120 MM)

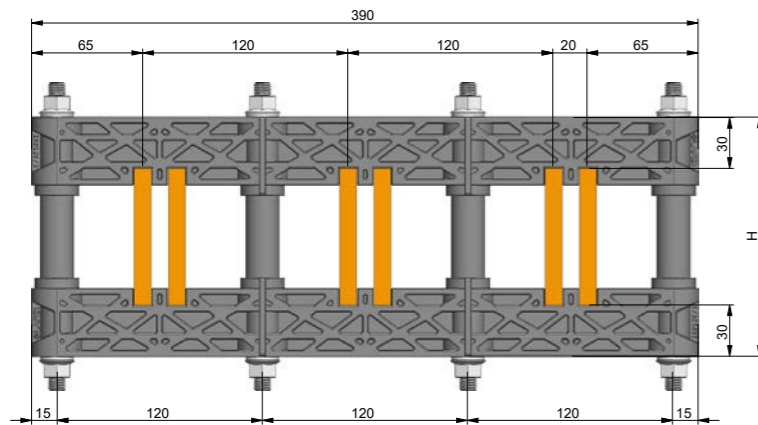
Supporto per barre in rame da 630A a 1600A

CODICE	CONTENUTO	PESO (kg)	In (A)
ISB312CU/C	1	1,7	Da 630A a 1600A



## PORTABARRE LINEAR TRIPOLARE PER DOPPIA BARRA IN RAME (INTERASSE FASI 120 MM)

Isolatore tripolare per sostegno doppia barre in rame da 1600A a 4300A



CODICE	CONTENUTO	PESO (kg)	DIM. BARRA (HXSP)	H (MM)	In (A)
IS31612CU2/C	cod. ISP120/3/C, cod. AB/10C cod. TUB304/C	1,6	50x10	110	1600
IS31812CU2/C	cod. ISP120/3/C, cod. AB/10C cod. TUB404/C	1,6	60x10	120	1800
IS32012CU2/C	cod. ISP120/3/C, cod. AB/10C cod. TUB604/C	1,7	80x10	140	2000
IS32512CU2/C	cod. ISP120/3/C, cod. AB/10C cod. TUB804/C	1,5	100x10	160	2500
IS33012CU2/C	cod. ISP120/3/C, cod. AB/10C cod. TUB104/C	1,9	120x10	180	3000
IS33612CU2/C	cod. ISP120/3/C, cod. AB/10C cod. TUB144/C	2	160x10	220	3600
IS34312CU2/C	cod. ISP120/3/C, cod. AB/10C cod. TUB184/C	2,2	200x10	260	4300

TABELLA INTERASSE PORTABARRE

Interasse Max	lcc	lcc	lcc	lcc	lcc	lcc	lcc
I. Nom	1600A	1800A	2000A	2500A	3000A	3600A	4300A
1000mm	20 kA	20 kA	25 kA	30 kA	35 kA	45 kA	50 kA
950mm	20 kA	20 kA	30 kA	35 kA	40 kA	50 kA	55 kA
900mm	20 kA	20 kA	30 kA	35 kA	40 kA	50 kA	55 kA
850mm	20 kA	20 kA	30 kA	35 kA	40 kA	50 kA	55 kA
800mm	25 kA	25 kA	35 kA	40 kA	45 kA	55 kA	60 kA
750mm	25 kA	30 kA	40 kA	40 kA	45 kA	55 kA	60 kA
700mm	25 kA	30 kA	40 kA	45 kA	45 kA	55 kA	60 kA
650mm	25 kA	30 kA	40 kA	45 kA	45 kA	55 kA	60 kA
600mm	30 kA	35 kA	45 kA	50 kA	50 kA	60 kA	65 kA
550mm	35 kA	40 kA	45 kA	55 kA	60 kA	75 kA	80 kA
500mm	40 kA	45 kA	50 kA	60 kA	70 kA	80 kA	85 kA
450mm	45 kA	50 kA	60 kA	65 kA	75 kA	95 kA	95 kA
400mm	50 kA	55 kA	65 kA	80 kA	90 kA	100 kA	105 kA
350mm	55 kA	60 kA	75 kA	90 kA	100 kA	105 kA	
300mm	65 kA	70 kA	90 kA	105 kA	105 kA		
250mm	90 kA	85 kA	100 kA				
200mm	95 kA	105 kA	105 kA				
Codice	IS31612CU2/C	IS31812CU2/C	IS32012CU2/C	IS32512CU2/C	IS33012CU2/C	IS33612CU2/C	IS34312CU2/C

## SUPPORTO BASE TRIPOLARE (INTERASSE FASI 120 MM)

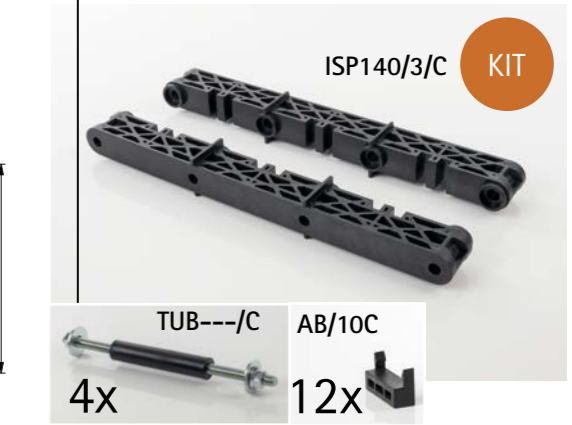
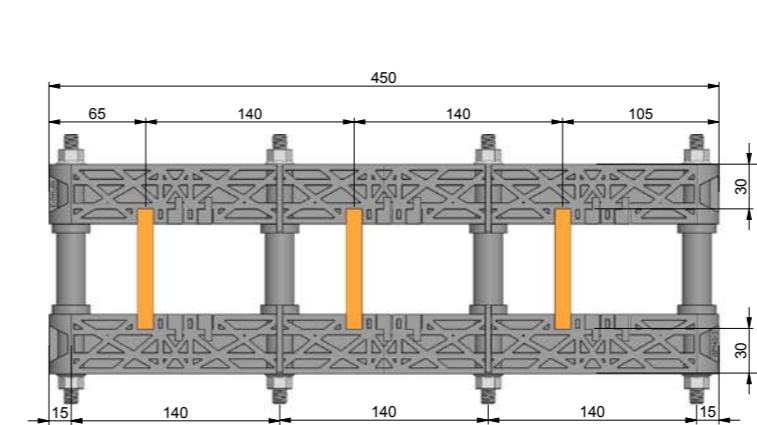
Supporto inferiore per doppia barra in rame da 1600A a 4300A

CODICE	CONTENUTO	PESO (kg)	In (A)
ISB312CU/C	1	1,7	Da 1600A a 4300A



## PORTABARRE LINEAR TRIPOLARE PER BARRA IN RAME CON NEUTRO 100% (INTERASSE FASI 140 MM)

Isolatore tripolare per sostegno con neutro da 100% per barre rame da 630A a 2000A



CODICE	CONTENUTO	PESO (kg)	DIM. BARRA (HXSP)	H (MM)	In (A)
IS36314CU1/C	cod. ISP140/3/C, cod. AB/10C, cod. TUB205/C	1,9	40x10	100	630
IS38014CU1/C	cod. ISP140/3/C, cod. AB/10C, cod. TUB305/C	2	50x10	110	800
IS31014CU1/C	cod. ISP140/3/C, cod. AB/10C, cod. TUB405/C	2,1	60x10	120	1000
IS31214CU1/C	cod. ISP140/3/C, cod. AB/10C, cod. TUB605/C	2,2	80x10	140	1250
IS31614CU1/C	cod. ISP140/3/C, cod. AB/10C, cod. TUB805/C	2,3	100x10	160	1600
IS31814CU1/C	cod. ISP140/3/C, cod. AB/10C, cod. TUB105/C	2,4	120x10	180	1800
IS32014CU1/C	cod. ISP140/3/C, cod. AB/10C, cod. TUB145/C	2,5	160x10	220	2000

TABELLA INTERASSE PORTABARRE

I. Nom	630A	800A	1000A	1250A	1600A	1800A	2000A
Interasse Max	lcc	lcc	lcc	lcc	lcc	lcc	lcc
1000mm	20 kA	20 kA	25 kA	30 kA	35 kA	35 kA	40 kA
950mm	20 kA	25 kA	25 kA	30 kA	35 kA	40 kA	45 kA
900mm	20 kA	25 kA	30 kA	30 kA	35 kA	40 kA	45 kA
850mm	25 kA	25 kA	30 kA	35 kA	40 kA	45 kA	50 kA
800mm	25 kA	30 kA	30 kA	35 kA	40 kA	45 kA	50 kA
750mm	25 kA	30 kA	35 kA	40 kA	45 kA	50 kA	55 kA
700mm	30 kA	35 kA	35 kA	45 kA	50 kA	50 kA	55 kA
650mm	30 kA	35 kA	40 kA	45 kA	50 kA	55 kA	55 kA
600mm	35 kA	40 kA	45 kA	50 kA	55 kA	55 kA	55 kA
550mm	40 kA	45 kA	45 kA	55 kA	60 kA	60 kA	60 kA
500mm	40 kA	50 kA	50 kA	60 kA	65 kA	70 kA	80 kA
450mm	45 kA	50 kA	55 kA	65 kA	75 kA	80 kA	95 kA
400mm	50 kA	55 kA	65 kA	75 kA	80 kA	90 kA	105 kA
350mm	60 kA	65 kA	70 kA	85 kA	95 kA	105 kA	
300mm	70 kA	75 kA	85 kA	100 kA	105 kA		
250mm	85 kA	95 kA	105 kA	105 kA			
200mm	105 kA	105 kA					
Codice	IS36314CU1/C	IS38014CU1/C	IS31014CU1/C	IS31214CU1/C	IS31614CU1/C	IS31814CU1/C	IS32014CU1/C

## SUPPORTO BASE TRIPOLARE (INTERASSE FASI 140 MM)

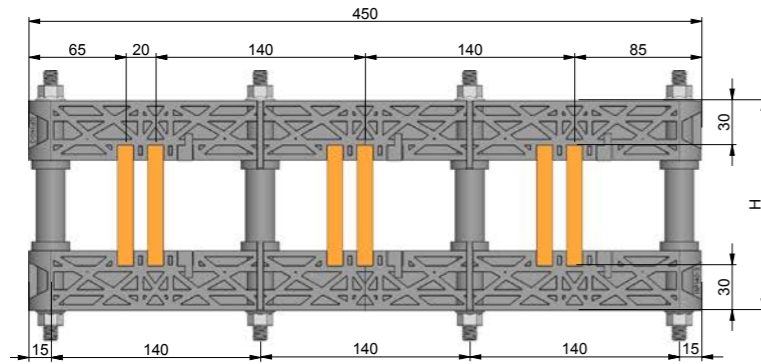
Supporto inferiore con neutro 100% per barre da 630A a 2000A

CODICE	CONTENUTO	PESO (kg)	In (A)
ISB314CU/C	1	1,9	da 630A a 2000A



## PORTABARRE LINEAR TRIPOLARE PER BARRA IN RAME CON NEUTRO 100% (INTERASSE FASI 140 MM)

Isolatore tripolare per sostegno con neutro da 100% per barre rame da 1800A a 4300A



CODICE	CONTENUTO	PESO (kg)	DIM. BARRA (HXSP)	H (MM)	In (A)
IS31814CU2/C	cod. ISP140/3/C, cod. AB/10C, cod. TUB405/C	1,9	60x10	120	1800
IS32014CU2/C	cod. ISP140/3/C, cod. AB/10C, cod. TUB605/C	2	80x10	140	2000
IS32514CU2/C	cod. ISP140/3/C, cod. AB/10C, cod. TUB805/C	2,1	100x10	160	2500
IS33014CU2/C	cod. ISP140/3/C, cod. AB/10C, cod. TUB105/C	2,2	120x10	180	3000
IS33614CU2/C	cod. ISP140/3/C, cod. AB/10C, cod. TUB145/C	2,3	160x10	220	3600
IS34314CU2/C	cod. ISP140/3/C, cod. AB/10C, cod. TUB185/C	2,4	200x10	260	4300

I.Nom	1800A	2000A	2500A	3000A	3600A	4300A
Interasse Max	lcc	lcc	lcc	lcc	lcc	lcc
1000mm	20 kA	25 kA	30 kA	35 kA	45 kA	55 kA
950mm	25 kA	30 kA	35 kA	40 kA	50 kA	55 kA
900mm	25 kA	30 kA	35 kA	40 kA	50 kA	60 kA
850mm	25 kA	30 kA	40 kA	45 kA	50 kA	65 kA
800mm	30 kA	35 kA	40 kA	45 kA	55 kA	65 kA
750mm	30 kA	35 kA	45 kA	50 kA	60 kA	65 kA
700mm	30 kA	40 kA	45 kA	50 kA	60 kA	65 kA
650mm	35 kA	45 kA	50 kA	60 kA	60 kA	65 kA
600mm	40 kA	45 kA	55 kA	60 kA	75 kA	85 kA
550mm	40 kA	50 kA	60 kA	65 kA	80 kA	90 kA
500mm	45 kA	55 kA	65 kA	75 kA	90 kA	100 kA
450mm	50 kA	60 kA	70 kA	80 kA	100 kA	105 kA
400mm	55 kA	70 kA	85 kA	90 kA	105 kA	
350mm	65 kA	80 kA	85 kA	105 kA		
300mm	75 kA	90 kA	90 kA			
250mm	90 kA	105 kA	105 kA			
200mm	105 kA					
Codice	IS31814CU2/C	IS32014CU2/C	IS32514CU2/C	IS33014CU2/C	IS33614CU2/C	IS34314CU2/C

## SUPPORTO BASE TRIPOLARE (INTERASSE FASI 140 MM)

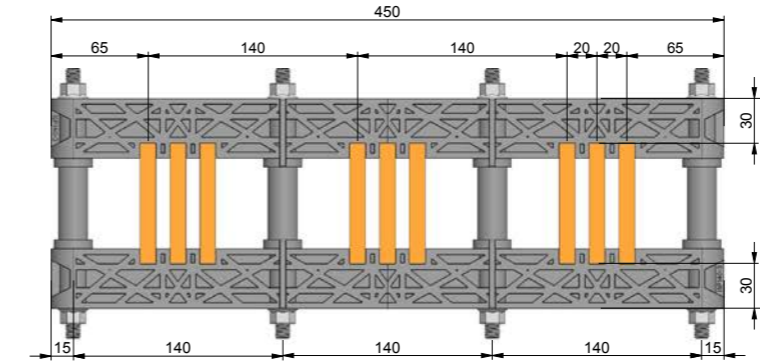
Supporto inferiore con neutro 100% per barre da 1800A a 4300A

CODICE	CONTENUTO	PESO (kg)	In (A)
ISB314CU/C	1	1,9	da 1800A a 4300A



## PORTABARRE LINEAR TRIPOLARE PER BARRA IN RAME CON NEUTRO 100% (INTERASSE FASI 140 MM)

Isolatore tripolare per sostegno con neutro da 100% per barre rame da 3000A a 6300A



CODICE	CONTENUTO	PESO (kg)	DIM. BARRA (HXSP)	H (MM)	In (A)
IS33014CU3/C	cod. ISP140/3/C, cod. TUB605/C	1,9	80x10	140	3000
IS33314CU3/C	cod. ISP140/3/C, cod. TUB805/C	2	100x10	160	3300
IS34014CU3/C	cod. ISP140/3/C, cod. TUB105/C	2,1	120x10	180	4000
IS35014CU3/C	cod. ISP140/3/C, cod. TUB145/C	2,2	160x10	220	5000
IS36314CU3/C	cod. ISP140/3/C, cod. TUB185/C	2,3	200x10	260	6300

I.Nom	3000A	3300A	4000A	5000A	6300A
Interasse Max	lcc	lcc	lcc	lcc	lcc
1000mm	30 kA	35 kA	45 kA	50 kA	60 kA
950mm	35 kA	35 kA	50 kA	55 kA	60 kA
900mm	35 kA	35 kA	50 kA	60 kA	60 kA
850mm	40 kA	45 kA	50 kA	60 kA	65 kA
800mm	40 kA	50 kA	50 kA	65 kA	65 kA
750mm	45 kA	50 kA	55 kA	65 kA	65 kA
700mm	45 kA	55 kA	55 kA	65 kA	65 kA
650mm	50 kA	55 kA	55 kA	65 kA	65 kA
600mm	55 kA	55 kA	70 kA	80 kA	85 kA
550mm	60 kA	60 kA	75 kA	85 kA	90 kA
500mm	65 kA	75 kA	85 kA	100 kA	100 kA
450mm	70 kA	85 kA	95 kA	105 kA	105 kA
400mm	80 kA	95 kA	105 kA		
350mm	90 kA	105 kA			
300mm	105 kA				
Codice	IS33014CU3/C	IS33314CU3/C	IS34014CU3/C	IS35014CU3/C	IS36314CU3/C

## SUPPORTO BASE TRIPOLARE (INTERASSE FASI 140 MM)

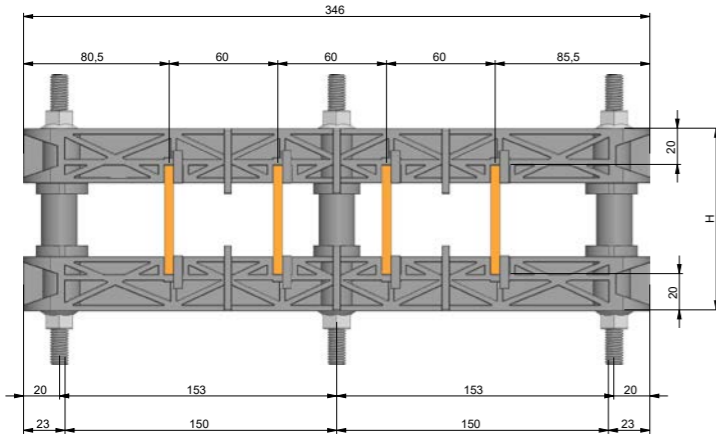
Supporto inferiore con neutro 100% per barre da 3000A a 6300A

CODICE	CONTENUTO	PESO (kg)	In (A)
ISB314CU/C	1	1,9	da 3000A a 6300A



## PORTABARRE QUADRIPOLE PER BARRA IN RAME CON NEUTRO 100% (INTERASSE FASI 60 MM)

Isolatore quadripolare per sostegno con neutro 100% per barre in rame da da 400A a 1000A



CODICE	CONTENUTO	PESO (kg)	DIM. BARRA (HXSP)	H (MM)	In (A)
IS44006CU1/C	cod. ISP60/4/C, cod. AB/5C, cod. TUB203/C	1,4	40x5	80	400
IS45006CU1/C	cod. ISP60/4/C, cod. AB/5C, cod. TUB303/C	1,5	50x5	90	500
IS46006CU1/C	cod. ISP60/4/C, cod. AB/5C, cod. TUB403/C	1,5	60x5	100	630
IS48006CU1/C	cod. ISP60/4/C, cod. AB/5C, cod. TUB603/C	1,6	80x5	120	800
IS41006CU1/C	cod. ISP60/4/C, cod. AB/5C, cod. TUB803/C	1,7	100x5	140	1000

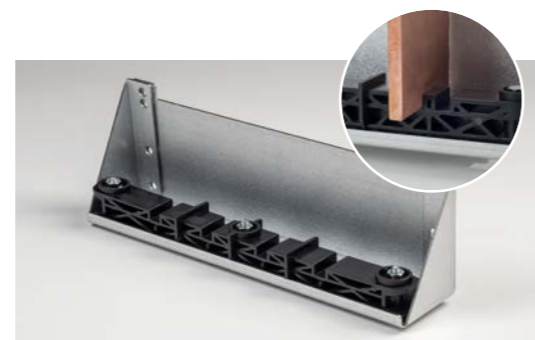
TABELLA INTERASSE PORTABARRE

I.Nom	400A	500A	630A	800A	1000A
Interasse Max	lcc	lcc	lcc	lcc	lcc
800mm	10 kA	10 kA	10 kA	10 kA	15 kA
750mm	10 kA	10 kA	10 kA	10 kA	15 kA
700mm	10 kA	10 kA	10 kA	15 kA	15 kA
650mm	10 kA	10 kA	10 kA	15 kA	20 kA
600mm	10 kA	10 kA	15 kA	15 kA	20 kA
550mm	10 kA	15 kA	15 kA	15 kA	20 kA
500mm	15 kA	15 kA	15 kA	20 kA	20 kA
450mm	15 kA	15 kA	20 kA	20 kA	25 kA
400mm	15 kA	20 kA	20 kA	25 kA	25 kA
350mm	20 kA	20 kA	25 kA	25 kA	30 kA
300mm	20 kA	25 kA	25 kA	30 kA	35 kA
250mm	25 kA	30 kA	30 kA	35 kA	45 kA
200mm	35 kA	40 kA	40 kA	45 kA	55 kA
Codice	IS44006CU1/C	IS45006CU1/C	IS46006CU1/C	IS48006CU1/C	IS41006CU1/C

## SUPPORTO BASE QUADRIPOLE (INTERASSE FASI 60 MM)

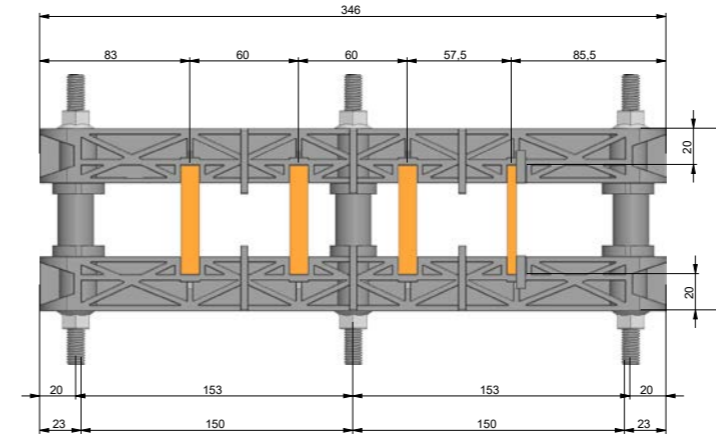
Supporto inferiore con neutro 100% per barre da 400A a 1000A

CODICE	CONTENUTO	PESO (kg)	In (A)
ISB406CU/C	1	1,7	Da 400A a 1000A



## PORTABARRE QUADRIPOLE PER BARRA IN RAME CON NEUTRO 50% (INTERASSE FASI 60 MM)

Isolatore quadripolare per sostegno con neutro 50% per barre in rame da da 400A a 1000A



CODICE	CONTENUTO	PESO (kg)	DIM. BARRA (HXSP)	H (MM)	In (A)
IS44006CU1/C	cod. ISP60/4/C, cod. AB/5C, cod. TUB203/C	1,4	40x5	80	400
IS45006CU1/C	cod. ISP60/4/C, cod. AB/5C, cod. TUB303/C	1,5	50x5	90	500
IS46006CU1/C	cod. ISP60/4/C, cod. AB/5C, cod. TUB403/C	1,5	60x5	100	630
IS48006CU1/C	cod. ISP60/4/C, cod. AB/5C, cod. TUB603/C	1,6	80x5	120	800
IS41006CU1/C	cod. ISP60/4/C, cod. AB/5C, cod. TUB803/C	1,7	100x5	140	1000

TABELLA INTERASSE PORTABARRE

I.Nom	400A	500A	630A	800A	1000A
Interasse Max	lcc	lcc	lcc	lcc	lcc
1000mm	15 kA	15 kA	15 kA	20 kA	20 kA
950mm	15 kA	15 kA	15 kA	20 kA	20 kA
900mm	15 kA	15 kA	20 kA	20 kA	25 kA
850mm	15 kA	20 kA	20 kA	25 kA	25 kA
800mm	15 kA	20 kA	20 kA	25 kA	25 kA
750mm	20 kA	20 kA	20 kA	25 kA	30 kA
700mm	20 kA	20 kA	25 kA	25 kA	30 kA
650mm	20 kA	25 kA	25 kA	30 kA	30 kA
600mm	20 kA	25 kA	25 kA	30 kA	30 kA
550mm	25 kA	25 kA	25 kA	30 kA	30 kA
500mm	25 kA	30 kA	35 kA	40 kA	45 kA
450mm	30 kA	35 kA	35 kA	45 kA	50 kA
400mm	35 kA	40 kA	40 kA	50 kA	55 kA
350mm	40 kA	45 kA	50 kA	55 kA	60 kA
300mm	45 kA	50 kA	55 kA	65 kA	70 kA
250mm	55 kA	55 kA	65 kA	75 kA	80 kA
200mm	70 kA	75 kA	80 kA	90 kA	90 kA
Codice	IS44006CU1/C	IS45006CU1/C	IS46006CU1/C	IS48006CU1/C	IS41006CU1/C

## SUPPORTO BASE QUADRIPOLE (INTERASSE FASI 60 MM)

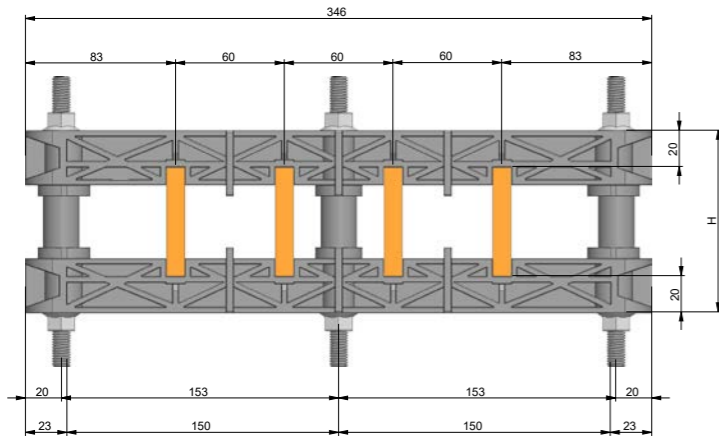
Supporto inferiore con neutro 50% per barre da 400A a 1000A

CODICE	CONTENUTO	PESO (kg)	In (A)
ISB406CU/C	1	1,7	Da 400A a 1000A



## PORTABARRE QUADRIPOLE PER BARRA IN RAME CON NEUTRO 100% (INTERASSE FASI 60 MM)

Isolatore quadripolare per sostegno con neutro 100% per barre in rame da da 400A a 1000A



CODICE	CONTENUTO	PESO (kg)	DIM. BARRA (HXSP)	H (MM)	In (A)
IS44006CU1/C	cod. ISP60/4/C, cod. TUB203/C	1,4	40x5	80	400
IS45006CU1/C	cod. ISP60/4/C, cod. TUB303/C	1,5	50x5	90	500
IS46006CU1/C	cod. ISP60/4/C, cod. TUB403/C	1,5	60x5	100	630
IS48006CU1/C	cod. ISP60/4/C, cod. TUB603/C	1,6	80x5	120	800
IS41006CU1/C	cod. ISP60/4/C, cod. TUB803/C	1,7	100x5	140	1000

TABELLA INTERASSE PORTABARRE					
I.Nom	400A	500A	630A	800A	1000A
Interasse Max	lcc	lcc	lcc	lcc	lcc
1000mm	15 kA	15 kA	15 kA	20 kA	20 kA
950mm	15 kA	15 kA	15 kA	20 kA	20 kA
900mm	15 kA	15 kA	20 kA	20 kA	25 kA
850mm	15 kA	20 kA	20 kA	25 kA	25 kA
800mm	15 kA	20 kA	20 kA	25 kA	25 kA
750mm	20 kA	20 kA	20 kA	25 kA	30 kA
700mm	20 kA	20 kA	25 kA	25 kA	30 kA
650mm	20 kA	25 kA	25 kA	30 kA	30 kA
600mm	20 kA	25 kA	25 kA	30 kA	30 kA
550mm	25 kA	25 kA	25 kA	30 kA	30 kA
500mm	25 kA	30 kA	35 kA	40 kA	45 kA
450mm	30 kA	35 kA	35 kA	45 kA	50 kA
400mm	35 kA	40 kA	40 kA	50 kA	55 kA
350mm	40 kA	45 kA	50 kA	55 kA	60 kA
300mm	45 kA	50 kA	55 kA	65 kA	70 kA
250mm	55 kA	55 kA	65 kA	75 kA	80 kA
200mm	70 kA	75 kA	80 kA	90 kA	90 kA
Codice	IS44006CU1/C	IS45006CU1/C	IS46006CU1/C	IS48006CU1/C	IS41006CU1/C

## SUPPORTO BASE QUADRIPOLE (INTERASSE FASI 60 MM)

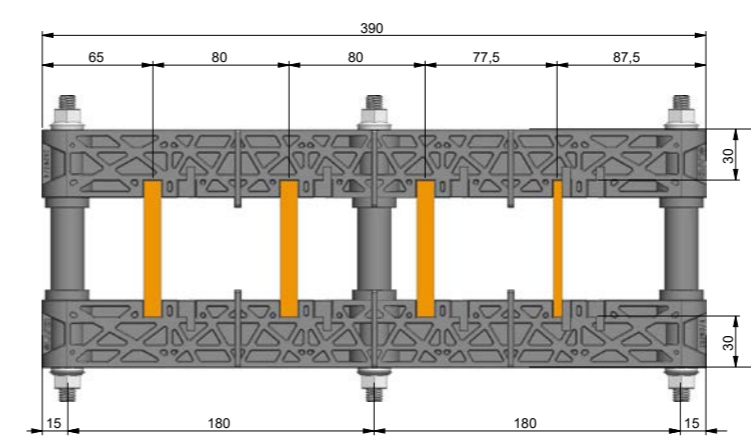
Supporto inferiore con neutro 100% per barre da 400A a 1000A

CODICE	CONTENUTO	PESO (kg)	In (A)
ISB406CU/C	1	1,7	Da 400A a 1000A



## PORTABARRE QUADRIPOLE PER BARRA IN RAME CON NEUTRO 50% (INTERASSE FASI 80 MM)

Isolatore quadripolare per sostegno con neutro 50% per barre in rame da da 630A a 1600A



CODICE	CONTENUTO	PESO (kg)	DIM. BARRA (HXSP)	H (MM)	In (A)
IS46308CU1/C	cod. ISP80/4/C, cod. AB/10C, cod. AB/5C, cod. TUB203/C	1,4	40x10	100	630
IS48008CU1/C	cod. ISP80/4/C, cod. AB/10C, cod. AB/5C, cod. TUB303/C	1,5	50x10	110	800
IS41008CU1/C	cod. ISP80/4/C, cod. AB/10C, cod. AB/5C, cod. TUB403/C	1,5	60x10	120	1000
IS41208CU1/C	cod. ISP80/4/C, cod. AB/10C, cod. AB/5C, cod. TUB603/C	1,6	80x10	140	1250
IS41608CU1/C	cod. ISP80/4/C, cod. AB/10C, cod. AB/5C, cod. TUB803/C	1,7	100x10	160	1600

TABELLA INTERASSE PORTABARRE					
I.Nom	630A	800A	1000A	1250A	1600A
Interasse Max	lcc	lcc	lcc	lcc	lcc
1000mm	16 kA	16 kA	20 kA	20 kA	25 kA
950mm	16 kA	16 kA	20 kA	20 kA	25 kA
900mm	16 kA	16 kA	20 kA	20 kA	25 kA
850mm	16 kA	16 kA	20 kA	20 kA	25 kA
800mm	20 kA	20 kA	25 kA	25 kA	30 kA
750mm	25 kA	25 kA	25 kA	30 kA	35 kA
700mm	25 kA	25 kA	25 kA	30 kA	35 kA
650mm	25 kA	25 kA	25 kA	30 kA	35 kA
600mm	25 kA	30 kA	30 kA	35 kA	40 kA
550mm	25 kA	30 kA	35 kA	40 kA	45 kA
500mm	30 kA	35 kA	40 kA	45 kA	50 kA
450mm	35 kA	40 kA	45 kA	50 kA	55 kA
400mm	40 kA	45 kA	50 kA	55 kA	60 kA
350mm	45 kA	50 kA	55 kA	65 kA	70 kA
300mm	50 kA	60 kA	65 kA	75 kA	85 kA
250mm	60 kA	70 kA	75 kA	85 kA	
200mm	80 kA	85 kA	85 kA		
Codice	IS46308CU1/C	IS48008CU1/C	IS41008CU1/C	IS41208CU1/C	IS41608CU1/C

## SUPPORTO BASE QUADRIPOLE (INTERASSE FASI 80 MM)

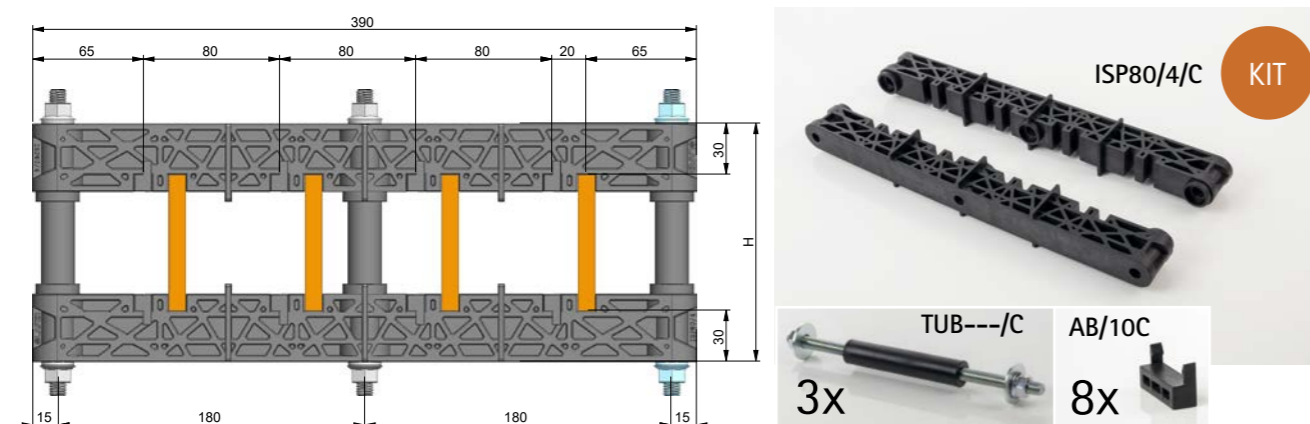
Supporto inferiore con neutro 50% per barre da 630A a 1600A

CODICE	CONTENUTO	PESO (kg)	In (A)
ISB408CU/C	1	1,7	Da 800A a 1600A



## PORTABARRE QUADRIPOLORE PER BARRA IN RAME CON NEUTRO 100% (INTERASSE FASI 80 MM)

Isolatore quadripolare per sostegno con neutro 100% per barre in rame da 630A a 2500A



CODICE	CONTENUTO	PESO (kg)	DIM. BARRA (HXSP)	H (MM)	In (A)
IS46308CU1/C	cod. ISP80/4/C, cod. AB/10C, cod. AB/5C, cod. TUB203/C	1,4	40x10	100	630
IS48008CU1/C	cod. ISP80/4/C, cod. AB/10C, cod. AB/5C, cod. TUB303/C	1,5	50x10	110	800
IS41008CU1/C	cod. ISP80/4/C, cod. AB/10C, cod. AB/5C, cod. TUB403/C	1,5	60x10	120	1000
IS41208CU1/C	cod. ISP80/4/C, cod. AB/10C, cod. AB/5C, cod. TUB603/C	1,6	80x10	140	1250
IS41608CU1/C	cod. ISP80/4/C, cod. AB/10C, cod. AB/5C, cod. TUB803/C	1,7	100x10	160	1600
IS41808CU1/C	cod. ISP80/4/C, cod. AB/10C, cod. TUB103/C	1,7	120x10	180	1800
IS42008CU1/C	cod. ISP80/4/C, cod. AB/10C, cod. TUB143/C	1,8	160x10	220	2000
IS42508CU1/C	cod. ISP80/4/C, cod. AB/10C, cod. TUB183/C	1,9	200x10	260	2500

I.Nom	630A	800A	1000A	1250A	1600A	1800A	2000A	2500A
Interasse Max	lcc	lcc	lcc	lcc	lcc	lcc	lcc	lcc
1000mm	16 kA	16 kA	20 kA	20 kA	25 kA	25 kA	30 kA	35 kA
950mm	16 kA	16 kA	20 kA	20 kA	25 kA	30 kA	35 kA	35 kA
900mm	16 kA	16 kA	20 kA	20 kA	25 kA	30 kA	35 kA	40 kA
850mm	16 kA	16 kA	20 kA	20 kA	25 kA	30 kA	35 kA	40 kA
800mm	20 kA	20 kA	25 kA	25 kA	30 kA	35 kA	40 kA	45 kA
750mm	25 kA	25 kA	25 kA	30 kA	35 kA	40 kA	40 kA	45 kA
700mm	25 kA	25 kA	25 kA	30 kA	35 kA	45 kA	40 kA	45 kA
650mm	25 kA	25 kA	25 kA	30 kA	35 kA	45 kA	45 kA	50 kA
600mm	25 kA	30 kA	30 kA	35 kA	40 kA	40 kA	50 kA	55 kA
550mm	25 kA	30 kA	35 kA	40 kA	45 kA	50 kA	55 kA	55 kA
500mm	30 kA	35 kA	40 kA	45 kA	50 kA	55 kA	60 kA	60 kA
450mm	35 kA	40 kA	45 kA	50 kA	55 kA	60 kA	70 kA	70 kA
400mm	40 kA	45 kA	50 kA	55 kA	60 kA	70 kA	75 kA	75 kA
350mm	45 kA	50 kA	55 kA	65 kA	70 kA	80 kA	80 kA	80 kA
300mm	50 kA	60 kA	65 kA	75 kA	85 kA	85 kA	85 kA	85 kA
250mm	60 kA	70 kA	75 kA	85 kA				
200mm	80 kA	85 kA	85 kA					
Codice	IS46308CU1/C	IS48008CU1/C	IS41008CU1/C	IS41208CU1/C	IS41608CU1/C	IS41808CU1/C	IS42008CU1/C	IS42508CU1/C

## SUPPORTO BASE QUADRIPOLORE (INTERASSE FASI 80 MM)

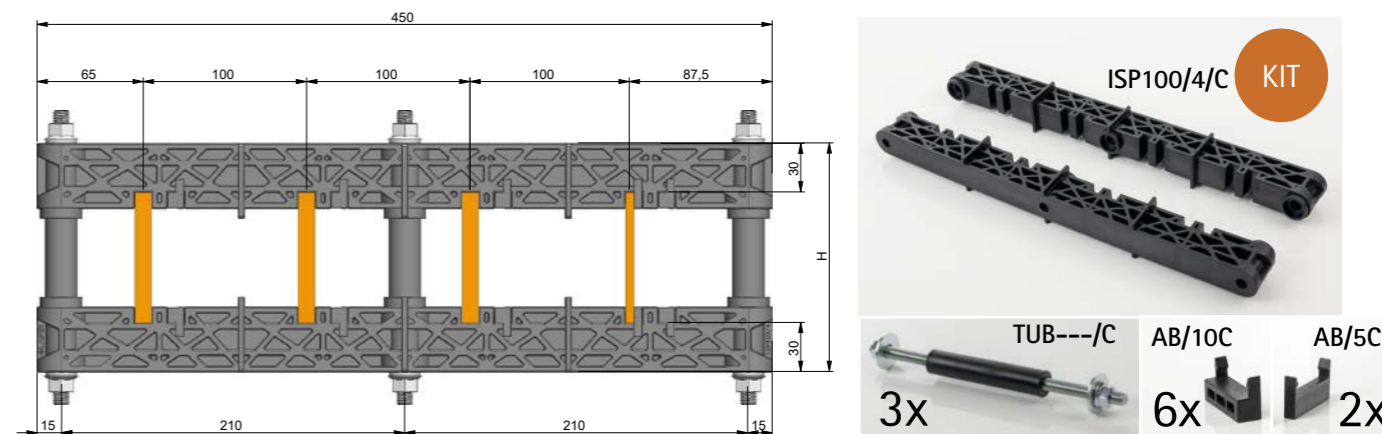
Supporto inferiore con neutro 100% per barre da 630A a 2500A

CODICE	CONTENUTO	PESO (kg)	In (A)
ISB408CU/C	1	1,7	Da 630A a 2500A



## PORTABARRE LINEAR QUADRIPOLORE PER BARRA IN RAME CON NEUTRO 50% (INTERASSE FASI 100 MM)

Isolatore quadripolare per sostegno con neutro 50% per barre in rame da 630A a 1600A



CODICE	CONTENUTO	PESO (kg)	DIM. BARRA (HXSP)	H (MM)	In (A)
IS46310CU1/C	cod. ISP100/4/C, cod. AB/10C, cod. AB/5C, cod. TUB203/C	1,5	40x10	100	630
IS48010CU1/C	cod. ISP100/4/C, cod. AB/10C, cod. AB/5C, cod. TUB303/C	1,6	50x10	110	800
IS41010CU1/C	cod. ISP100/4/C, cod. AB/10C, cod. AB/5C, cod. TUB403/C	1,6	60x10	120	1000
IS41210CU1/C	cod. ISP100/4/C, cod. AB/10C, cod. AB/5C, cod. TUB603/C	1,6	80x10	140	1250
IS41610CU1/C	cod. ISP100/4/C, cod. AB/10C, cod. AB/5C, cod. TUB803/C	1,7	100x10	160	1600

I.Nom	630A	800A	1000A	1250A	1600A
Interasse Max	lcc	lcc	lcc	lcc	lcc
1000mm	16 kA	20 kA	20 kA	25 kA	25 kA
950mm	20 kA	25 kA	25 kA	25 kA	30 kA
900mm	20 kA	25 kA	25 kA	25 kA	30 kA
850mm	20 kA	25 kA	25 kA	25 kA	30 kA
800mm	20 kA	25 kA	25 kA	30 kA	35 kA
750mm	25 kA	25 kA	30 kA	35 kA	35 kA
700mm	25 kA	30 kA	30 kA	35 kA	40 kA
650mm	25 kA	30 kA	30 kA	35 kA	40 kA
600mm	30 kA	35 kA	35 kA	40 kA	45 kA
550mm	30 kA	35 kA	40 kA	45 kA	50 kA
500mm	35 kA	40 kA	45 kA	50 kA	55 kA
450mm	40 kA	45 kA	50 kA	55 kA	60 kA
400mm	45 kA	50 kA	55 kA	60 kA	70 kA
350mm	50 kA	55 kA	60 kA	70 kA	80 kA
300mm	60 kA	65 kA	70 kA	85 kA	95 kA
250mm	70 kA	80 kA	85 kA	100 kA	105 kA
200mm	85 kA	100 kA	105 kA		
Codice	IS46310CU1/C	IS48010CU1/C	IS41010CU1/C	IS41210CU1/C	IS41610CU1/C

## SUPPORTO BASE QUADRIPOLORE (INTERASSE FASI 80 MM)

Supporto inferiore con neutro 50% per barre da 630A a 1600A

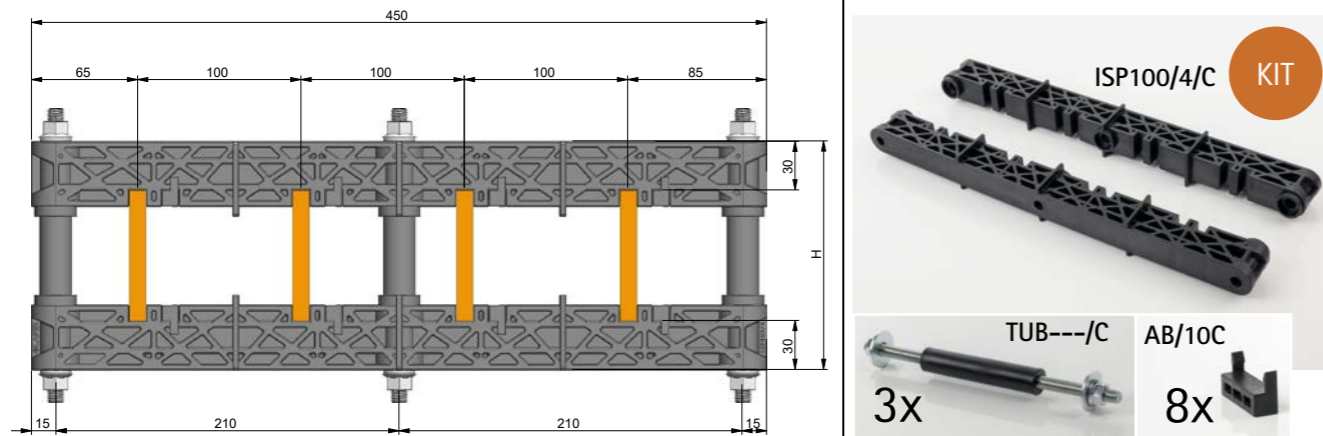
CODICE	CONTENUTO	PESO (kg)	In (A)
ISB410CU/C	1	1,9	Da 630A a 1600A





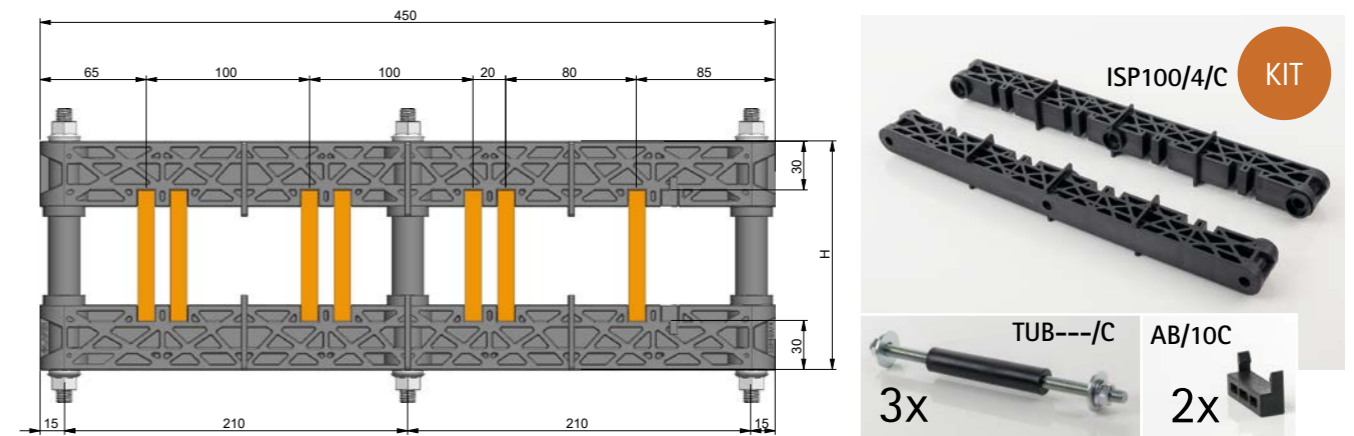
## PORTABARRE QUADRIPOLE PER BARRA IN RAME CON NEUTRO 100% (INTERASSE FASI 100 MM)

Isolatore quadripolare per sostegno con neutro 100% per barre in rame da 630A a 2000A



## PORTABARRE LINEAR QUADRIPOLE DOPPIA BARRA IN RAME CON NEUTRO 50% (INTERASSE FASI 100 MM)

Isolatore quadripolare per sostegno con neutro da 50% per barre rame da 1600A a 4300A



ISOLATORI LINEARI COMPONIBILI

CODICE	CONTENUTO	PESO (kg)	DIM. BARRA (HXSP)	H (MM)	In (A)
IS46310CU1/C	cod. ISP100/4/C, cod. AB/10C, cod. TUB203/C	1,5	40x10	100	630
IS48010CU1/C	cod. ISP100/4/C, cod. AB/10C, cod. TUB303/C	1,6	50x10	110	800
IS41010CU1/C	cod. ISP100/4/C, cod. AB/10C, cod. TUB403/C	1,6	60x10	120	1000
IS41210CU1/C	cod. ISP100/4/C, cod. AB/10C, cod. TUB603/C	1,6	80x10	140	1250
IS41610CU1/C	cod. ISP100/4/C, cod. AB/10C, cod. TUB803/C	1,7	100x10	160	1600
IS41810CU1/C	cod. ISP100/4/C, cod. AB/10C, cod. TUB103/C	1,8	120x10	180	1800
IS42010CU1/C	cod. ISP100/4/C, cod. AB/10C, cod. TUB143/C	1,9	160x10	220	2000

CODICE	CONTENUTO	PESO (kg)	DIM. BARRA (HXSP)	H (MM)	In (A)
IS41610CU2/C	cod. ISP100/4/C, cod. AB/10C, cod. TUB303/C	1,6	50x10	110	1600
IS41810CU2/C	cod. ISP100/4/C, cod. AB/10C, cod. TUB403/C	1,6	60x10	120	1800
IS42010CU2/C	cod. ISP100/4/C, cod. AB/10C, cod. TUB603/C	1,6	80x10	140	2000
IS42510CU2/C	cod. ISP100/4/C, cod. AB/10C, cod. TUB803/C	1,7	100x10	160	2500
IS43010CU2/C	cod. ISP100/4/C, cod. AB/10C, cod. TUB103/C	1,8	120x10	180	3000
IS43610CU2/C	cod. ISP100/4/C, cod. AB/10C, cod. TUB143/C	1,9	160x10	220	3600
IS44310CU2/C	cod. ISP100/4/C, cod. AB/10C, cod. TUB183/C	2	200x10	260	4300

ISOLATORI LINEARI COMPONIBILI

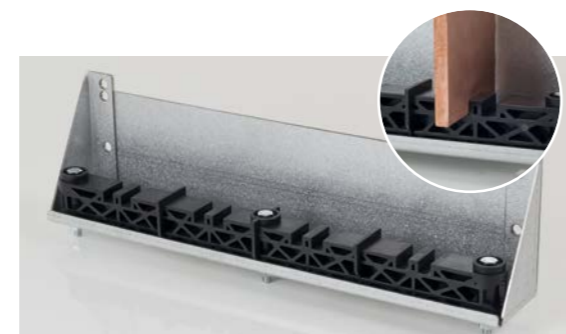
TABELLA INTERASSE PORTABARRE							
I.Nom	630A	800A	1000A	1250A	1600A	1800A	2000A
Interasse Max	lcc	lcc	lcc	lcc	lcc	lcc	lcc
1000mm	16 kA	20 kA	20 kA	25 kA	25 kA	35 kA	35 kA
950mm	20 kA	25 kA	25 kA	25 kA	30 kA	35 kA	35 kA
900mm	20 kA	25 kA	25 kA	25 kA	30 kA	35 kA	35 kA
850mm	20 kA	25 kA	25 kA	25 kA	30 kA	35 kA	40 kA
800mm	20 kA	25 kA	25 kA	30 kA	35 kA	40 kA	45 kA
750mm	25 kA	25 kA	30 kA	35 kA	35 kA	45 kA	50 kA
700mm	25 kA	30 kA	30 kA	35 kA	40 kA	45 kA	50 kA
650mm	25 kA	30 kA	30 kA	35 kA	40 kA	45 kA	50 kA
600mm	30 kA	35 kA	35 kA	40 kA	45 kA	50 kA	50 kA
550mm	30 kA	35 kA	40 kA	45 kA	50 kA	55 kA	55 kA
500mm	35 kA	40 kA	45 kA	50 kA	55 kA	60 kA	65 kA
450mm	40 kA	45 kA	50 kA	55 kA	60 kA	70 kA	70 kA
400mm	45 kA	50 kA	55 kA	60 kA	70 kA	80 kA	80 kA
350mm	50 kA	55 kA	60 kA	70 kA	80 kA	85 kA	85 kA
300mm	60 kA	65 kA	70 kA	85 kA	95 kA	95 kA	95 kA
250mm	70 kA	80 kA	85 kA	100 kA	105 kA	105 kA	105 kA
200mm	95 kA	95 kA	105 kA	105 kA			
Codice	IS46310CU1/C	IS48010CU1/C	IS41010CU1/C	IS41210CU1/C	IS41610CU1/C	IS41810CU1/C	IS42010CU1/C

TABELLA INTERASSE PORTABARRE							
Interasse Max	lcc	lcc	lcc	lcc	lcc	lcc	lcc
I. Nom	1600A	1800A	2000A	2500A	3000A	3600A	4300A
1000mm	20 kA	20 kA	25 kA	30 kA	35 kA	40 kA	50 kA
950mm	20 kA	20 kA	25 kA	30 kA	35 kA	45 kA	50 kA
900mm	20 kA	20 kA	25 kA	35 kA	40 kA	45 kA	55 kA
850mm	20 kA	20 kA	25 kA	35 kA	40 kA	45 kA	55 kA
800mm	20 kA	25 kA	30 kA	40 kA	45 kA	50 kA	60 kA
750mm	25 kA	30 kA	35 kA	40 kA	45 kA	50 kA	65 kA
700mm	25 kA	30 kA	35 kA	45 kA	45 kA	50 kA	70 kA
650mm	25 kA	30 kA	40 kA	45 kA	45 kA	55 kA	70 kA
600mm	30 kA	35 kA	45 kA	50 kA	55 kA	60 kA	75 kA
550mm	30 kA	35 kA	45 kA	55 kA	60 kA	65 kA	75 kA
500mm	35 kA	40 kA	50 kA	60 kA	70 kA	70 kA	80 kA
450mm	40 kA	45 kA	55 kA	65 kA	75 kA	75 kA	90 kA
400mm	45 kA	50 kA	65 kA	75 kA	85 kA	95 kA	95 kA
350mm	50 kA	60 kA	75 kA	85 kA	90 kA	100 kA	100 kA
300mm	60 kA	70 kA	85 kA	100 kA	105 kA	105 kA	105 kA
250mm	70 kA	85 kA	105 kA	105 kA			
200mm	90 kA	105 kA					
Codice	IS41610CU2/C	IS41810CU2/C	IS42010CU2/C	IS42510CU2/C	IS43010CU2/C	IS43610CU2/C	IS44310CU2/C

## SUPPORTO BASE QUADRIPOLE (INTERASSE FASI 100 MM)

Supporto inferiore con neutro 100% per barre da 630A a 2000A

CODICE	CONTENUTO	PESO (kg)	In (A)
ISB410CU/C	1	1,9	Da 630A a 2000A



## SUPPORTO BASE QUADRIPOLE (INTERASSE FASI 100 MM)

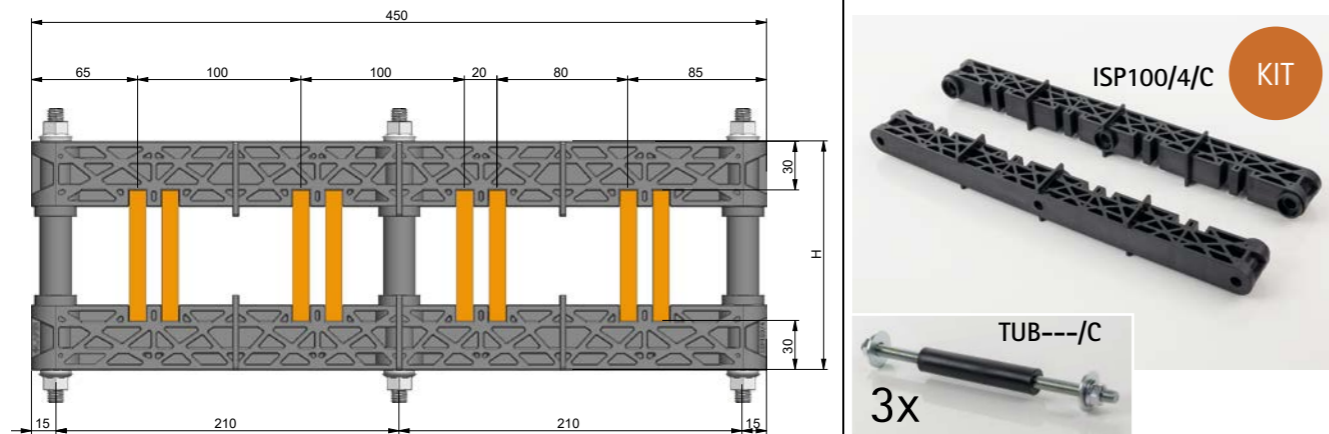
Supporto inferiore con neutro 50% per barre da 1600A a 4300A

CODICE	CONTENUTO	PESO (kg)	In (A)
ISB410CU/C	1	1,9	Da 1600A a 4300A



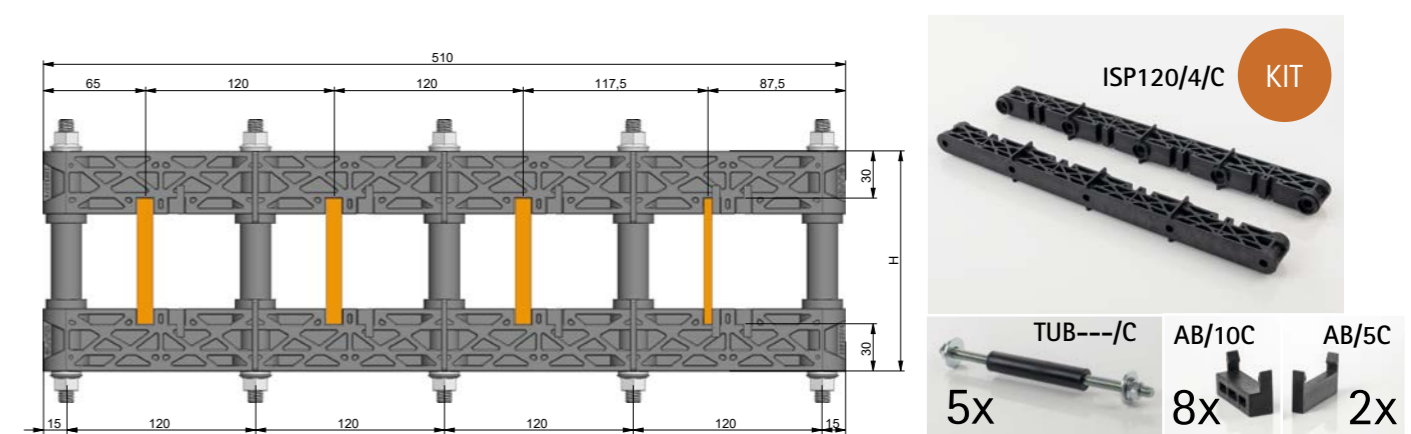
## PORTABARRE LINEAR QUADRIPOLE DOPPIA BARRA IN RAME CON NEUTRO 100% (INTERASSE FASI 100 MM)

Isolatore quadripolare per sostegno con neutro 100% per barre in rame da 1600A a 4300A



## PORTABARRE LINEAR QUADRIPOLE PER BARRA IN RAME CON NEUTRO 50% (INTERASSE FASI 120 MM)

Isolatore quadripolare per sostegno con neutro da 50% per barre rame da 630A a 1600A



ISOLATORI LINEARI COMPONIBILI

CODICE	CONTENUTO	PESO (kg)	DIM. BARRA (HXSP)	H (MM)	In (A)
IS41610CU2/C	cod. ISP100/4/C, cod. AB/10C, cod. TUB303/C	1,6	50x10	110	1600
IS41810CU2/C	cod. ISP100/4/C, cod. AB/10C, cod. TUB403/C	1,6	60x10	120	1800
IS42010CU2/C	cod. ISP100/4/C, cod. AB/10C, cod. TUB603/C	1,6	80x10	140	2000
IS42510CU2/C	cod. ISP100/4/C, cod. AB/10C, cod. TUB803/C	1,7	100x10	160	2500
IS43010CU2/C	cod. ISP100/4/C, cod. AB/10C, cod. TUB103/C	1,8	120x10	180	3000
IS43610CU2/C	cod. ISP100/4/C, cod. AB/10C, cod. TUB143/C	1,9	160x10	220	3600
IS44310CU2/C	cod. ISP100/4/C, cod. AB/10C, cod. TUB183/C	2	200x10	260	4300

CODICE	CONTENUTO	PESO (kg)	DIM. BARRA (HXSP)	H (MM)	In (A)
IS46312CU1/C	cod. ISP120/4/C, cod. AB/10C, cod. AB/5C, cod. TUB205/C	1,9	40x10	100	630
IS48012CU1/C	cod. ISP120/4/C, cod. AB/10C, cod. AB/5C, cod. TUB305/C	2	50x10	110	800
IS41012CU1/C	cod. ISP120/4/C, cod. AB/10C, cod. AB/5C, cod. TUB405/C	2	60x10	120	1000
IS41212CU1/C	cod. ISP120/4/C, cod. AB/10C, cod. AB/5C, cod. TUB605/C	2,1	80x10	140	1250
IS41612CU1/C	cod. ISP120/4/C, cod. AB/10C, cod. AB/5C, cod. TUB805/C	2,1	100x10	160	1600

ISOLATORI LINEARI COMPONIBILI

Interasse Max	lcc	lcc	lcc	lcc	lcc	lcc	lcc
I. Nom	1600A	1800A	2000A	2500A	3000A	3600A	4300A
1000mm	20 kA	20 kA	25 kA	30 kA	35 kA	40 kA	50 kA
950mm	20 kA	20 kA	25 kA	30 kA	35 kA	45 kA	50 kA
900mm	20 kA	20 kA	25 kA	35 kA	40 kA	45 kA	55 kA
850mm	20 kA	20 kA	25 kA	35 kA	40 kA	45 kA	55 kA
800mm	20 kA	25 kA	30 kA	40 kA	45 kA	50 kA	60 kA
750mm	25 kA	30 kA	35 kA	40 kA	45 kA	50 kA	65 kA
700mm	25 kA	30 kA	35 kA	45 kA	45 kA	50 kA	70 kA
650mm	25 kA	30 kA	40 kA	45 kA	45 kA	55 kA	70 kA
600mm	30 kA	35 kA	45 kA	50 kA	55 kA	60 kA	75 kA
550mm	30 kA	35 kA	45 kA	55 kA	60 kA	65 kA	75 kA
500mm	35 kA	40 kA	50 kA	60 kA	70 kA	70 kA	80 kA
450mm	40 kA	45 kA	55 kA	65 kA	75 kA	75 kA	90 kA
400mm	45 kA	50 kA	65 kA	75 kA	85 kA	95 kA	95 kA
350mm	50 kA	60 kA	75 kA	85 kA	90 kA	100 kA	100 kA
300mm	60 kA	70 kA	85 kA	100 kA	105 kA	105 kA	105 kA
250mm	70 kA	85 kA	105 kA	105 kA			
200mm	90 kA	105 kA					
Codice	IS41610CU2/C	IS41810CU2/C	IS42010CU2/C	IS42510CU2/C	IS43010CU2/C	IS43610CU2/C	IS44310CU2/C

I.Nom	630A	800A	1000A	1250A	1600A
Interasse Max	lcc	lcc	lcc	lcc	lcc
1000mm	20 kA	20 kA	25 kA	25 kA	30 kA
950mm	20 kA	20 kA	25 kA	30 kA	30 kA
900mm	20 kA	20 kA	25 kA	30 kA	35 kA
850mm	20 kA	20 kA	25 kA	30 kA	35 kA
800mm	25 kA	25 kA	30 kA	35 kA	40 kA
750mm	25 kA	25 kA	30 kA	35 kA	40 kA
700mm	25 kA	25 kA	35 kA	40 kA	45 kA
650mm	25 kA	25 kA	35 kA	40 kA	45 kA
600mm	30 kA	30 kA	40 kA	45 kA	50 kA
550mm	35 kA	35 kA	45 kA	50 kA	55 kA
500mm	40 kA	40 kA	50 kA	55 kA	60 kA
450mm	45 kA	45 kA	55 kA	60 kA	65 kA
400mm	50 kA	50 kA	60 kA	70 kA	75 kA
350mm	55 kA	55 kA	65 kA	80 kA	85 kA
300mm	65 kA	65 kA	80 kA	90 kA	100 kA
250mm	75 kA	75 kA	95 kA	100 kA	100 kA
200mm	95 kA	95 kA	105 kA	105 kA	105 kA
Codice	IS46312CU1/C	IS48012CU1/C	IS41012CU1/C	IS41212CU1/C	IS41612CU1/C

## SUPPORTO BASE QUADRIPOLE (INTERASSE FASI 100 MM)

Supporto inferiore con neutro 100% per barre da 1600A a 4300A

CODICE	CONTENUTO	PESO (kg)	In (A)
ISB410CU/C	1	1,9	Da 1600A a 4300A



## SUPPORTO BASE QUADRIPOLE (INTERASSE FASI 120 MM)

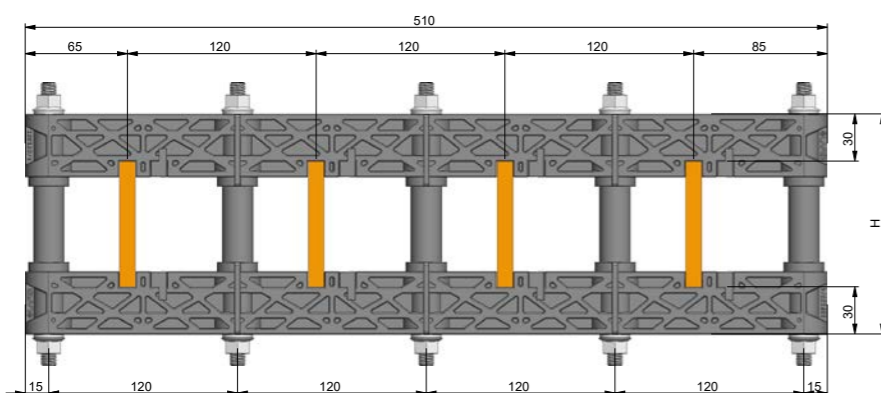
Supporto inferiore con neutro 50% per barre da 630A a 1600A

CODICE	CONTENUTO	PESO (kg)	In (A)
ISB412CU/C	1	2,1	da 630A a 1600A



## PORTABARRE LINEAR QUADRIPOLE PER BARRA IN RAME CON NEUTRO 100% (INTERASSE FASI 120 MM)

Isolatore quadripolare per sostegno con neutro da 100% per barre rame da 630A a 2000A



CODICE	CONTENUTO	PESO (kg)	DIM. BARRA (HXSP)	H (MM)	In (A)
IS46312CU1/C	cod. ISP120/4/C, cod. AB/10C, cod. TUB205/C	1,9	40x10	100	630
IS48012CU1/C	cod. ISP120/4/C, cod. AB/10C, cod. TUB305/C	2	50x10	110	800
IS41012CU1/C	cod. ISP120/4/C, cod. AB/10C, cod. TUB405/C	2	60x10	120	1000
IS41212CU1/C	cod. ISP120/4/C, cod. AB/10C, cod. TUB605/C	2,1	80x10	140	1250
IS41612CU1/C	cod. ISP120/4/C, cod. AB/10C, cod. TUB805/C	2,1	100x10	160	1600
IS41812CU1/C	cod. ISP120/4/C, cod. AB/10C, cod. TUB105/C	2,4	120x10	180	1800
IS42012CU1/C	cod. ISP120/4/C, cod. AB/10C, cod. TUB145/C	2,1	160x10	220	2000

TABELLA INTERASSE PORTABARRE

I.Nom	630A	800A	1000A	1250A	1600A	1800A	2000A
Interasse Max	lcc	lcc	lcc	lcc	lcc	lcc	lcc
1000mm	20 kA	20 kA	25 kA	25 kA	30 kA	30 kA	35 kA
950mm	20 kA	20 kA	25 kA	30 kA	30 kA	30 kA	40 kA
900mm	20 kA	20 kA	25 kA	30 kA	35 kA	35 kA	40 kA
850mm	20 kA	20 kA	25 kA	30 kA	35 kA	35 kA	40 kA
800mm	25 kA	25 kA	30 kA	35 kA	40 kA	40 kA	45 kA
750mm	25 kA	25 kA	30 kA	35 kA	40 kA	40 kA	50 kA
700mm	25 kA	25 kA	35 kA	40 kA	45 kA	45 kA	50 kA
650mm	25 kA	25 kA	35 kA	40 kA	45 kA	45 kA	50 kA
600mm	30 kA	30 kA	40 kA	45 kA	50 kA	50 kA	55 kA
550mm	35 kA	35 kA	45 kA	50 kA	55 kA	55 kA	60 kA
500mm	40 kA	40 kA	50 kA	55 kA	60 kA	60 kA	65 kA
450mm	45 kA	45 kA	55 kA	60 kA	65 kA	70 kA	70 kA
400mm	50 kA	50 kA	60 kA	70 kA	75 kA	80 kA	85 kA
350mm	55 kA	55 kA	65 kA	80 kA	85 kA	90 kA	90 kA
300mm	65 kA	65 kA	80 kA	90 kA	100 kA	105 kA	105 kA
250mm	75 kA	75 kA	95 kA	100 kA	100 kA		
200mm	95 kA	95 kA	105 kA	105 kA	105 kA		
Codice	IS46312CU1/C	IS48012CU1/C	IS41012CU1/C	IS41212CU1/C	IS41612CU1/C	IS41812CU1/C	IS42012CU1/C

## SUPPORTO BASE QUADRIPOLE (INTERASSE FASI 120 MM)

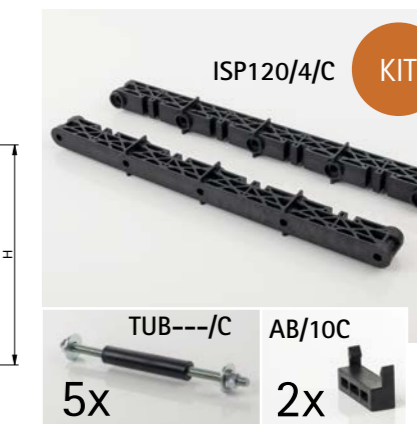
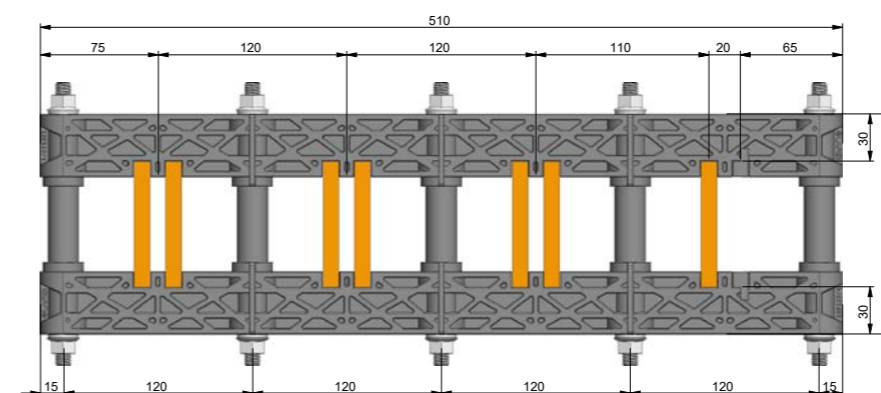
Supporto inferiore con neutro 100% per barre da 630A a 2000A

CODICE	CONTENUTO	PESO (kg)	In (A)
ISB412CU/C	1	2,1	da 630A a 1600A



## PORTABARRE LINEAR QUADRIPOLE DOPPIA BARRA IN RAME CON NEUTRO 50% (INTERASSE FASI 120 MM)

Isolatore quadripolare per sostegno con neutro da 50% per barre rame da 1600A a 4300A



CODICE	CONTENUTO	PESO (kg)	DIM. BARRA (HXSP)	H (MM)	In (A)
IS41612CU2/C	cod. ISP120/4/C, cod. AB/10C, cod. TUB305/C	2	50x10	110	1600
IS41812CU2/C	cod. ISP120/4/C, cod. AB/10C, cod. TUB405/C	2	60x10	120	1800
IS42012CU2/C	cod. ISP120/4/C, cod. AB/10C, cod. TUB605/C	2,1	80x10	140	2000
IS42512CU2/C	cod. ISP120/4/C, cod. AB/10C, cod. TUB805/C	2,3	100x10	160	2500
IS43012CU2/C	cod. ISP120/4/C, cod. AB/10C, cod. TUB105/C	2,4	120x10	180	3000
IS43612CU2/C	cod. ISP120/4/C, cod. AB/10C, cod. TUB145/C	2,2	160x10	220	3600
IS44312CU2/C	cod. ISP120/4/C, cod. AB/10C, cod. TUB185/C	2,2	200x10	260	4300

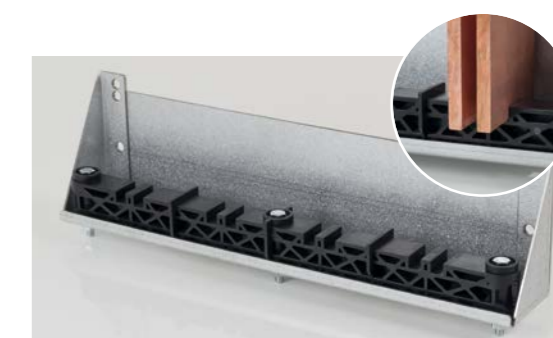
TABELLA INTERASSE PORTABARRE

I. Nom	1600A	1800A	2000A	2500A	3000A	3600A	4300A
Interasse Max	lcc	lcc	lcc	lcc	lcc	lcc	lcc
1000mm	20 kA	20 kA	25 kA	30 kA	35 kA	45 kA	50 kA
950mm	20 kA	20 kA	30 kA	35 kA	40 kA	50 kA	55 kA
900mm	20 kA	20 kA	30 kA	35 kA	40 kA	50 kA	55 kA
850mm	20 kA	20 kA	30 kA	35 kA	40 kA	50 kA	55 kA
800mm	25 kA	25 kA	35 kA	40 kA	45 kA	55 kA	60 kA
750mm	25 kA	30 kA	40 kA	40 kA	45 kA	55 kA	60 kA
700mm	25 kA	30 kA	40 kA	45 kA	45 kA	55 kA	60 kA
650mm	25 kA	30 kA	40 kA	45 kA	45 kA	55 kA	60 kA
600mm	30 kA	35 kA	45 kA	50 kA	50 kA	60 kA	65 kA
550mm	35 kA	40 kA	45 kA	55 kA	60 kA	75 kA	80 kA
500mm	40 kA	45 kA	50 kA	60 kA	70 kA	80 kA	85 kA
450mm	45 kA	50 kA	60 kA	65 kA	75 kA	95 kA	95 kA
400mm	50 kA	55 kA	65 kA	80 kA	90 kA	100 kA	105 kA
350mm	55 kA	60 kA	75 kA	90 kA	100 kA	105 kA	
300mm	65 kA	70 kA	90 kA	105 kA	105 kA		
250mm	90 kA	85 kA	100 kA				
200mm	95 kA	105 kA	105 kA				
Codice	IS41612CU2/C	IS41812CU2/C	IS42012CU2/C	IS42512CU2/C	IS43012CU2/C	IS43612CU2/C	IS44312CU2/C

## SUPPORTO BASE QUADRIPOLE (INTERASSE FASI 120 MM)

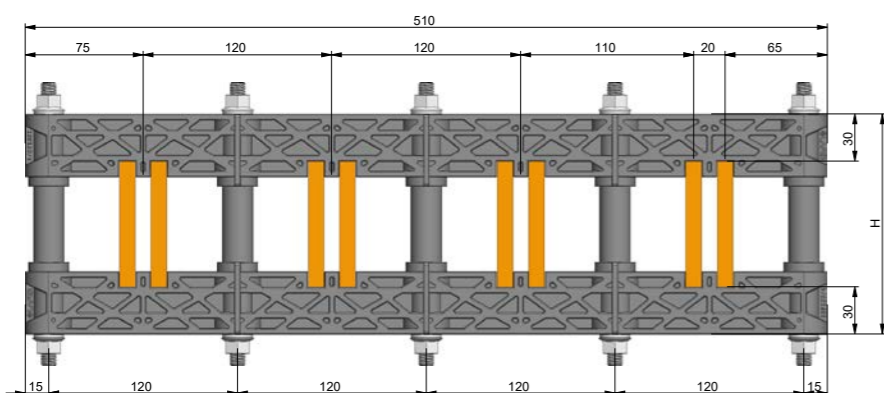
Supporto inferiore con neutro 50% per barre da 1600A a 4300A

CODICE	CONTENUTO	PESO (kg)	In (A)
ISB412CU/C	1	2,1	da 1600A a 4300A



## PORTABARRE LINEAR QUADRIPOLE DOPPIA BARRA IN RAME CON NEUTRO 100% (INTERASSE FASI 120 MM)

Isolatore quadripolare per sostegno con neutro da 100% per barre rame da 1600A a 4300A



CODICE	CONTENUTO	PESO (kg)	DIM. BARRA (HXSP)	H (MM)	In (A)
IS41612CU2/C	cod. ISP120/4/C, cod. TUB305/C	2	50x10	110	1600
IS41812CU2/C	cod. ISP120/4/C, cod. TUB405/C	2	60x10	120	1800
IS42012CU2/C	cod. ISP120/4/C, cod. TUB605/C	2,1	80x10	140	2000
IS42512CU2/C	cod. ISP120/4/C, cod. TUB805/C	2,3	100x10	160	2500
IS43012CU2/C	cod. ISP120/4/C, cod. TUB105/C	2,4	120x10	180	3000
IS43612CU2/C	cod. ISP120/4/C, cod. TUB145/C	2,2	160x10	220	3600
IS44312CU2/C	cod. ISP120/4/C, cod. TUB185/C	2,2	200x10	260	4300

Interasse Max	lcc	lcc	lcc	lcc	lcc	lcc	lcc
I. Nom	1600A	1800A	2000A	2500A	3000A	3600A	4300A
1000mm	20 kA	20 kA	25 kA	30 kA	35 kA	45 kA	50 kA
950mm	20 kA	20 kA	30 kA	35 kA	40 kA	50 kA	55 kA
900mm	20 kA	20 kA	30 kA	35 kA	40 kA	50 kA	55 kA
850mm	20 kA	20 kA	30 kA	35 kA	40 kA	50 kA	55 kA
800mm	25 kA	25 kA	35 kA	40 kA	45 kA	55 kA	60 kA
750mm	25 kA	30 kA	40 kA	40 kA	45 kA	55 kA	60 kA
700mm	25 kA	30 kA	40 kA	45 kA	45 kA	55 kA	60 kA
650mm	25 kA	30 kA	40 kA	45 kA	45 kA	55 kA	60 kA
600mm	30 kA	35 kA	45 kA	50 kA	50 kA	60 kA	65 kA
550mm	35 kA	40 kA	45 kA	55 kA	60 kA	75 kA	80 kA
500mm	40 kA	45 kA	50 kA	60 kA	70 kA	80 kA	85 kA
450mm	45 kA	50 kA	60 kA	65 kA	75 kA	95 kA	95 kA
400mm	50 kA	55 kA	65 kA	80 kA	90 kA	100 kA	105 kA
350mm	55 kA	60 kA	75 kA	90 kA	100 kA	105 kA	
300mm	65 kA	70 kA	90 kA	105 kA	105 kA		
250mm	90 kA	85 kA	100 kA				
200mm	95 kA	105 kA	105 kA				
Codice	IS41612CU2/C	IS41812CU2/C	IS42012CU2/C	IS42512CU2/C	IS43012CU2/C	IS43612CU2/C	IS44312CU2/C

## SUPPORTO BASE QUADRIPOLE (INTERASSE FASI 120 MM)

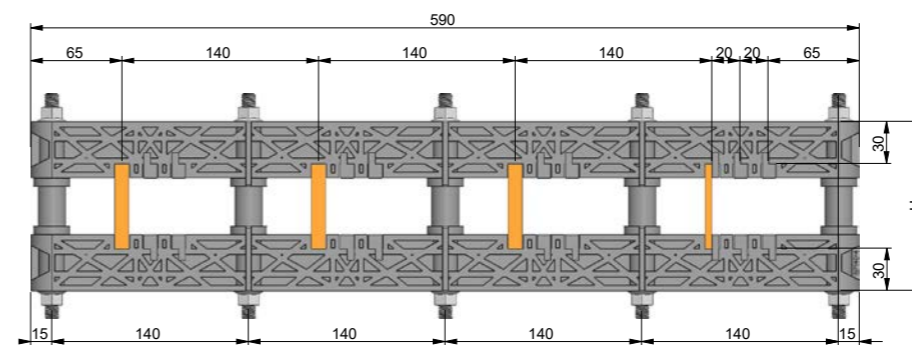
Supporto inferiore con neutro 100% per barre da 1600A a 4300A

CODICE	CONTENUTO	PESO (kg)	In (A)
ISB412CU/C	1	2,1	da 1600A a 4300A



## PORTABARRE LINEAR QUADRIPOLE PER BARRA IN RAME CON NEUTRO 50% (INTERASSE FASI 140 MM)

Isolatore quadripolare per sostegno con neutro da 50% per barre rame da 630A a 1600A



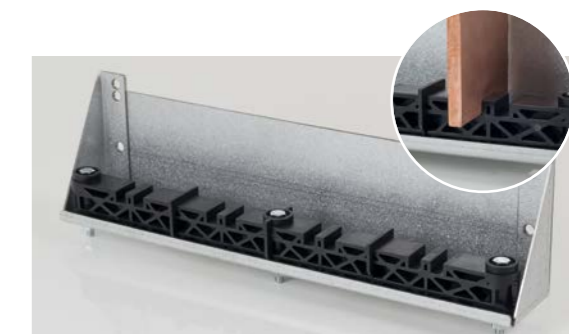
CODICE	CONTENUTO	PESO (kg)	DIM. BARRA (HXSP)	H (MM)	In (A)
IS46314CU1/C	cod. ISP140/4/C, cod. AB/10C, cod. AB/5C, cod. TUB205/C	2,1	40x10	100	630
IS48014CU1/C	cod. ISP140/4/C, cod. AB/10C, cod. AB/5C, cod. TUB305/C	2,2	50x10	110	800
IS41014CU1/C	cod. ISP140/4/C, cod. AB/10C, cod. AB/5C, cod. TUB405/C	2,2	60x10	120	1000
IS41214CU1/C	cod. ISP140/4/C, cod. AB/10C, cod. AB/5C, cod. TUB605/C	2,3	80x10	140	1250
IS41614CU1/C	cod. ISP140/4/C, cod. AB/10C, cod. AB/5C, cod. TUB805/C	2,5	100x10	160	1600

I.Nom	630A	800A	1000A	1250A	1600A
Interasse Max	lcc	lcc	lcc	lcc	lcc
1000mm	20 kA	20 kA	25 kA	30 kA	35 kA
950mm	20 kA	25 kA	25 kA	30 kA	35 kA
900mm	20 kA	25 kA	30 kA	30 kA	35 kA
850mm	25 kA	25 kA	30 kA	35 kA	40 kA
800mm	25 kA	30 kA	30 kA	35 kA	40 kA
750mm	25 kA	30 kA	35 kA	40 kA	45 kA
700mm	30 kA	35 kA	35 kA	45 kA	50 kA
650mm	30 kA	35 kA	40 kA	45 kA	50 kA
600mm	35 kA	40 kA	45 kA	50 kA	55 kA
550mm	40 kA	45 kA	45 kA	55 kA	60 kA
500mm	40 kA	50 kA	50 kA	60 kA	65 kA
450mm	45 kA	50 kA	55 kA	65 kA	75 kA
400mm	50 kA	55 kA	65 kA	75 kA	80 kA
350mm	60 kA	65 kA	70 kA	85 kA	95 kA
300mm	70 kA	75 kA	85 kA	100 kA	105 kA
250mm	85 kA	95 kA	105 kA	105 kA	
200mm	105 kA	105 kA			
Codice	IS46314CU1/C	IS48014CU1/C	IS41014CU1/C	IS41214CU1/C	IS41614CU1/C

## SUPPORTO BASE QUADRIPOLE (INTERASSE FASI 140 MM)

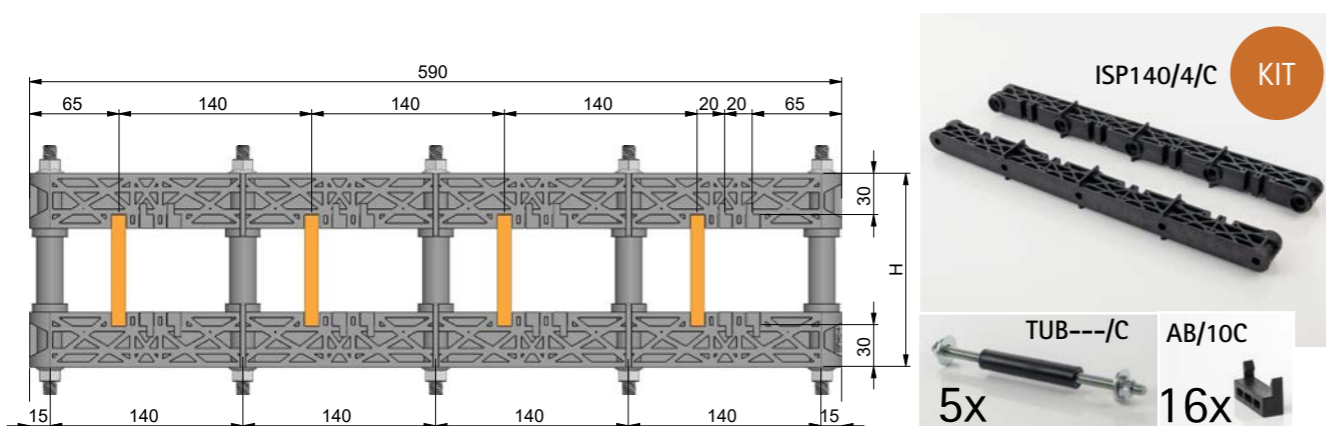
Supporto inferiore con neutro 50% per barre da 630A a 1600A

CODICE	CONTENUTO	PESO (kg)	In (A)
ISB414CU/C	1	2,1	da 630A a 1600A



## PORTABARRE LINEAR QUADRIPOLE PER BARRA IN RAME CON NEUTRO 100% (INTERASSE FASI 140 MM)

Isolatore quadripolare per sostegno con neutro da 100% per barre rame da 630A a 2000A



CODICE	CONTENUTO	PESO (kg)	DIM. BARRA (HXSP)	H (MM)	In (A)
IS46314CU1/C	cod. ISP140/4/C, cod. AB/10C, cod. TUB205/C	2,1	40x10	100	630
IS48014CU1/C	cod. ISP140/4/C, cod. AB/10C, cod. TUB305/C	2,2	50x10	110	800
IS41014CU1/C	cod. ISP140/4/C, cod. AB/10C, cod. TUB405/C	2,2	60x10	120	1000
IS41214CU1/C	cod. ISP140/4/C, cod. AB/10C, cod. TUB605/C	2,3	80x10	140	1250
IS41614CU1/C	cod. ISP140/4/C, cod. AB/10C, cod. TUB805/C	2,5	100x10	160	1600
IS41814CU1/C	cod. ISP140/4/C, cod. AB/10C, cod. TUB105/C	2,7	120x10	180	1800
IS42014CU1/C	cod. ISP140/4/C, cod. AB/10C, cod. TUB145/C	2,9	160x10	220	2000

I.Nom	630A	800A	1000A	1250A	1600A	1800A	2000A
Interasse Max	lcc	lcc	lcc	lcc	lcc	lcc	lcc
1000mm	20 kA	20 kA	25 kA	30 kA	35 kA	35 kA	40 kA
950mm	20 kA	25 kA	25 kA	30 kA	35 kA	40 kA	45 kA
900mm	20 kA	25 kA	30 kA	30 kA	35 kA	40 kA	45 kA
850mm	25 kA	25 kA	30 kA	35 kA	40 kA	45 kA	50 kA
800mm	25 kA	30 kA	30 kA	35 kA	40 kA	45 kA	50 kA
750mm	25 kA	30 kA	35 kA	40 kA	45 kA	50 kA	55 kA
700mm	30 kA	35 kA	35 kA	45 kA	50 kA	50 kA	55 kA
650mm	30 kA	35 kA	40 kA	45 kA	50 kA	55 kA	55 kA
600mm	35 kA	40 kA	45 kA	50 kA	55 kA	55 kA	55 kA
550mm	40 kA	45 kA	45 kA	55 kA	60 kA	60 kA	60 kA
500mm	40 kA	50 kA	50 kA	60 kA	65 kA	70 kA	80 kA
450mm	45 kA	50 kA	55 kA	65 kA	75 kA	80 kA	95 kA
400mm	50 kA	55 kA	65 kA	75 kA	80 kA	90 kA	105 kA
350mm	60 kA	65 kA	70 kA	85 kA	95 kA	105 kA	
300mm	70 kA	75 kA	85 kA	100 kA	105 kA		
250mm	85 kA	95 kA	105 kA				
200mm	105 kA	105 kA					
Codice	IS46314CU1/C	IS48014CU1/C	IS41014CU1/C	IS41214CU1/C	IS41614CU1/C	IS41814CU1/C	IS42014CU1/C

## SUPPORTO BASE QUADRIPOLE (INTERASSE FASI 140 MM)

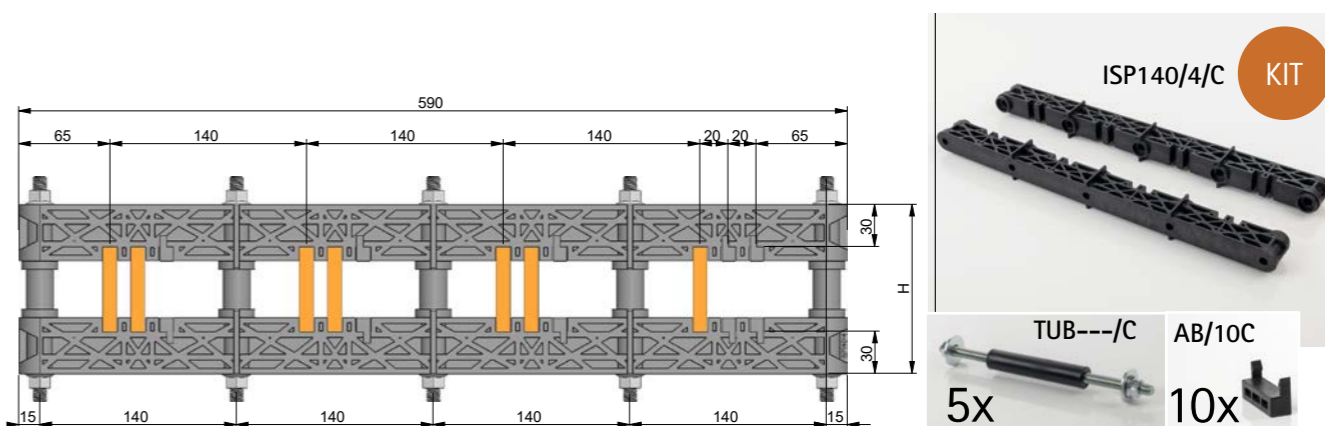
Supporto inferiore con neutro 100% per barre da 630A a 2000A

CODICE	CONTENUTO	PESO (kg)	In (A)
ISB414CU/C	1	2,1	da 630A a 2000A



## PORTABARRE LINEAR QUADRIPOLE PER BARRA IN RAME CON NEUTRO 50% (INTERASSE FASI 140 MM)

Isolatore quadripolare per sostegno con neutro da 50% per barre rame da 1800A a 4300A



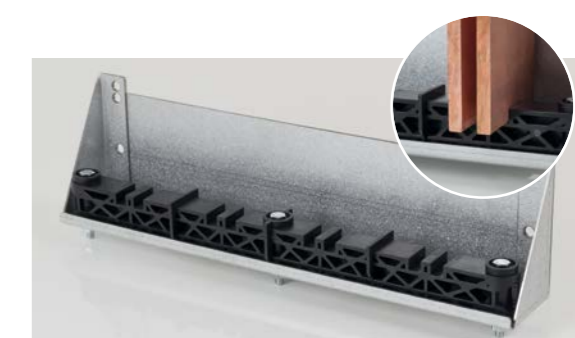
CODICE	CONTENUTO	PESO (kg)	DIM. BARRA (HXSP)	H (MM)	In (A)
IS41814CU2/C	cod. ISP140/4/C, cod. AB/10C, cod. TUB405/C	2,1	60x10	120	1800
IS42014CU2/C	cod. ISP140/4/C, cod. AB/10C, cod. TUB605/C	2,2	80x10	140	2000
IS42514CU2/C	cod. ISP140/4/C, cod. AB/10C, cod. TUB805/C	2,2	100x10	160	2500
IS43614CU2/C	cod. ISP140/4/C, cod. AB/10C, cod. TUB145/C	2,5	160x10	220	3600
IS44314CU2/C	cod. ISP140/4/C, cod. AB/10C, cod. TUB185/C	2,5	200x10	260	4300

I.Nom	1800A	2000A	2500A	3600A	4300A
Interasse Max	lcc	lcc	lcc	lcc	lcc
1000mm	20 kA	20 kA	25 kA	30 kA	35 kA
950mm	20 kA	25 kA	25 kA	30 kA	35 kA
900mm	20 kA	25 kA	30 kA	30 kA	35 kA
850mm	25 kA	25 kA	30 kA	35 kA	40 kA
800mm	25 kA	30 kA	30 kA	35 kA	40 kA
750mm	25 kA	30 kA	35 kA	40 kA	45 kA
700mm	30 kA	35 kA	35 kA	45 kA	50 kA
650mm	30 kA	35 kA	40 kA	45 kA	50 kA
600mm	35 kA	40 kA	45 kA	50 kA	55 kA
550mm	40 kA	45 kA	45 kA	55 kA	60 kA
500mm	40 kA	50 kA	50 kA	60 kA	65 kA
450mm	45 kA	50 kA	55 kA	65 kA	75 kA
400mm	50 kA	55 kA	65 kA	75 kA	80 kA
350mm	60 kA	65 kA	70 kA	85 kA	95 kA
300mm	70 kA	75 kA	85 kA	100 kA	105 kA
250mm	85 kA	95 kA	105 kA	105 kA	
200mm	105 kA	105 kA			
Codice	IS41814CU2/C	IS42014CU2/C	IS42514CU2/C	IS43614CU2/C	IS44314CU2/C

## SUPPORTO BASE QUADRIPOLE (INTERASSE FASI 140 MM)

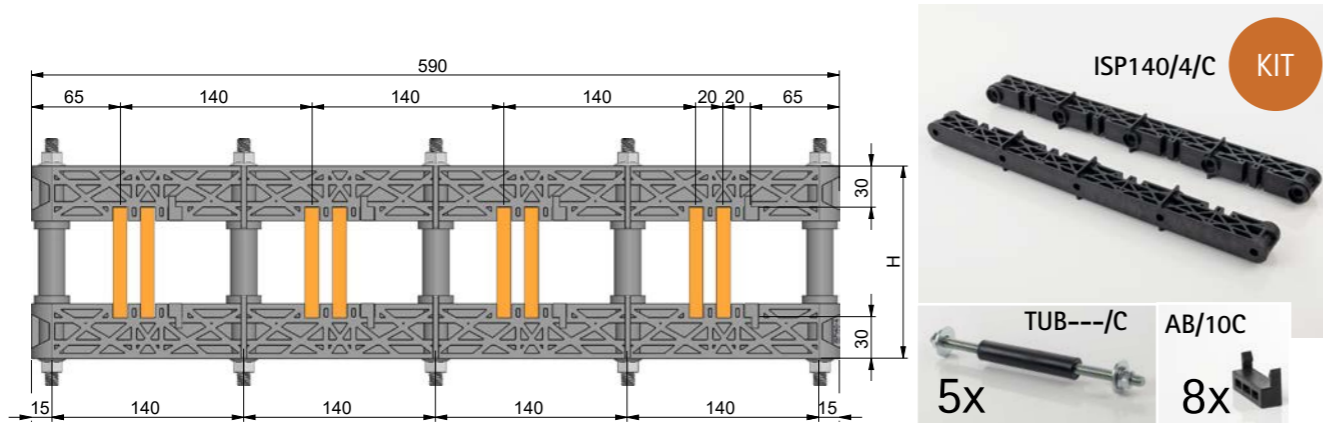
Supporto inferiore con neutro 50% per barre da 1800A a 4300A

CODICE	CONTENUTO	PESO (kg)	In (A)
ISB414CU/C	1	2,1	da 1800A a 4300A



## PORTABARRE LINEAR QUADRIPOLE PER BARRA IN RAME CON NEUTRO 100% (INTERASSE FASI 140 MM)

Isolatore quadripolare per sostegno con neutro da 100% per barre rame da 1800A a 4300A



CODICE	CONTENUTO	PESO (kg)	DIM. BARRA (HXSP)	H (MM)	In (A)
IS41814CU2/C	cod. ISP140/4/C, cod. AB/10C, cod. TUB405/C	2,1	60x10	120	1800
IS42014CU2/C	cod. ISP140/4/C, cod. AB/10C, cod. TUB605/C	2,2	80x10	140	2000
IS42514CU2/C	cod. ISP140/4/C, cod. AB/10C, cod. TUB805/C	2,2	100x10	160	2500
IS43014CU2/C	cod. ISP140/4/C, cod. AB/10C, cod. TUB105/C	2,3	120x10	180	3000
IS43614CU2/C	cod. ISP140/4/C, cod. AB/10C, cod. TUB145/C	2,5	160x10	220	3600
IS44314CU2/C	cod. ISP140/4/C, cod. AB/10C, cod. TUB185/C	2,5	200x10	260	4300

I.Nom	1800A	2000A	2500A	3000A	3600A	4300A
Interasse Max	lcc	lcc	lcc	lcc	lcc	lcc
1000mm	20 kA	25 kA	30 kA	35 kA	45 kA	55 kA
950mm	25 kA	30 kA	35 kA	40 kA	50 kA	55 kA
900mm	25 kA	30 kA	35 kA	40 kA	50 kA	60 kA
850mm	25 kA	30 kA	40 kA	45 kA	50 kA	65 kA
800mm	30 kA	35 kA	40 kA	45 kA	55 kA	65 kA
750mm	30 kA	35 kA	45 kA	50 kA	60 kA	65 kA
700mm	30 kA	40 kA	45 kA	50 kA	60 kA	65 kA
650mm	35 kA	45 kA	50 kA	60 kA	60 kA	65 kA
600mm	40 kA	45 kA	55 kA	60 kA	75 kA	85 kA
550mm	40 kA	50 kA	60 kA	65 kA	80 kA	90 kA
500mm	45 kA	55 kA	65 kA	75 kA	90 kA	100 kA
450mm	50 kA	60 kA	70 kA	80 kA	100 kA	105 kA
400mm	55 kA	70 kA	85 kA	90 kA	105 kA	
350mm	65 kA	80 kA	85 kA	105 kA		
300mm	75 kA	90 kA	90 kA			
250mm	90 kA	105 kA	105 kA			
200mm	105 kA					
Codice	IS41814CU2/C	IS42014CU2/C	IS42514CU2/C	IS43014CU2/C	IS43614CU2/C	IS44314CU2/C

## SUPPORTO BASE QUADRIPOLE (INTERASSE FASI 140 MM)

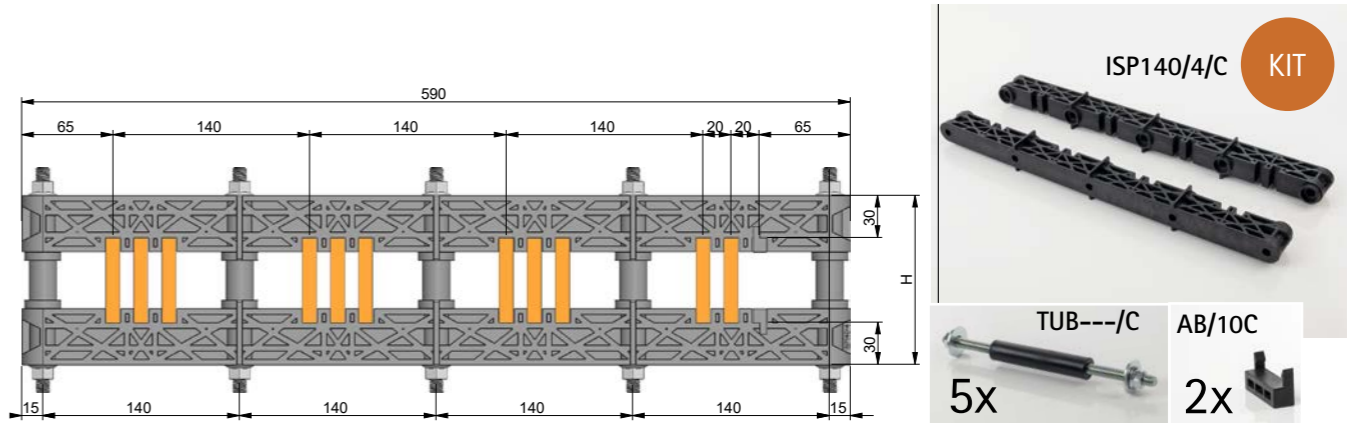
Supporto inferiore con neutro 100% per barre da 1800A a 4300A

CODICE	CONTENUTO	PESO (kg)	In (A)
ISB414CU/C	1	2,1	da 1800A a 4300A



## PORTABARRE LINEAR QUADRIPOLE PER BARRA IN RAME CON NEUTRO 50% (INTERASSE FASI 140 MM)

Isolatore quadripolare per sostegno con neutro da 50% per barre rame da 3000A a 6300A



CODICE	CONTENUTO	PESO (kg)	DIM. BARRA (HXSP)	H (MM)	In (A)
IS43014CU3/C	cod. ISP140/4/C, cod. AB/10C, cod. TUB405/C	2,1	60x10	140	3000
IS43314CU3/C	cod. ISP140/4/C, cod. AB/10C, cod. TUB605/C	2,2	80x10	160	3300
IS44014CU3/C	cod. ISP140/4/C, cod. AB/10C, cod. TUB805/C	2,2	100x10	180	4000
IS45014CU3/C	cod. ISP140/4/C, cod. AB/10C, cod. TUB145/C	2,5	160x10	220	5000
IS46314CU3/C	cod. ISP140/4/C, cod. AB/10C, cod. TUB185/C	2,5	200x10	260	6300

I.Nom	3000A	3300A	4000A	5000A	6300A
Interasse Max	lcc	lcc	lcc	lcc	lcc
1000mm	30 kA	35 kA	45 kA	50 kA	60 kA
950mm	35 kA	35 kA	50 kA	55 kA	60 kA
900mm	35 kA	35 kA	50 kA	60 kA	60 kA
850mm	40 kA	45 kA	50 kA	60 kA	65 kA
800mm	40 kA	50 kA	50 kA	65 kA	65 kA
750mm	45 kA	50 kA	55 kA	65 kA	65 kA
700mm	45 kA	55 kA	55 kA	65 kA	65 kA
650mm	50 kA	55 kA	55 kA	65 kA	65 kA
600mm	55 kA	55 kA	70 kA	80 kA	85 kA
550mm	60 kA	60 kA	75 kA	85 kA	90 kA
500mm	65 kA	75 kA	85 kA	100 kA	100 kA
450mm	70 kA	85 kA	95 kA	105 kA	105 kA
400mm	80 kA	95 kA	105 kA		
350mm	90 kA	105 kA			
300mm	105 kA				
Codice	IS43014CU3/C	IS43314CU3/C	IS44014CU3/C	IS45014CU3/C	IS46314CU3/C

## SUPPORTO BASE QUADRIPOLE (INTERASSE FASI 140 MM)

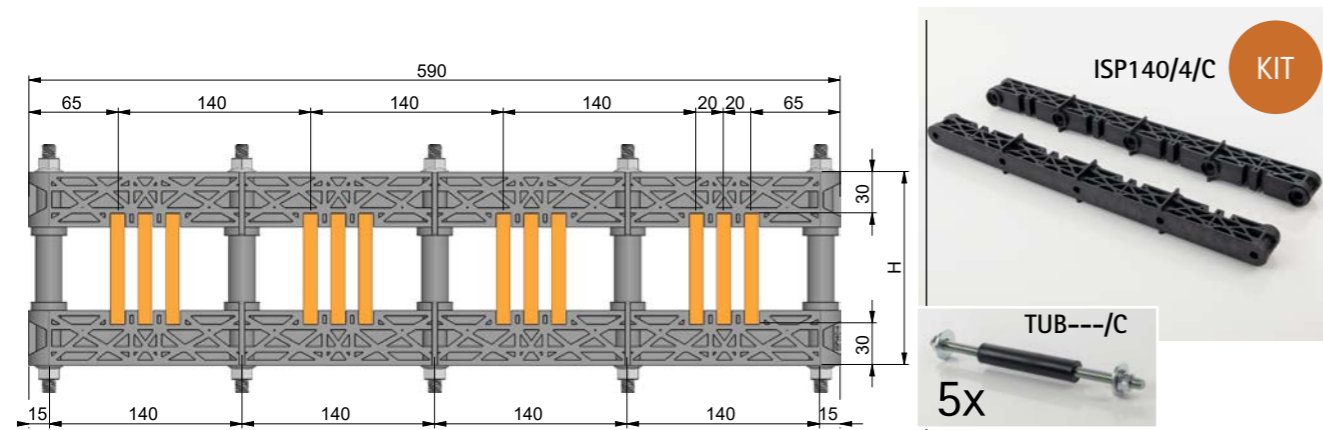
Supporto inferiore con neutro 50% per barre da 3000A a 6300A

CODICE	CONTENUTO	PESO (kg)	In (A)
ISB414CU/C	1	2,1	da 3000A a 6300A



## PORTABARRE LINEAR QUADRIPOLORE PER BARRA IN RAME CON NEUTRO 100% (INTERASSE FASI 140 MM)

Isolatore quadripolare per sostegno con neutro da 100% per barre rame da 3000A a 6300A



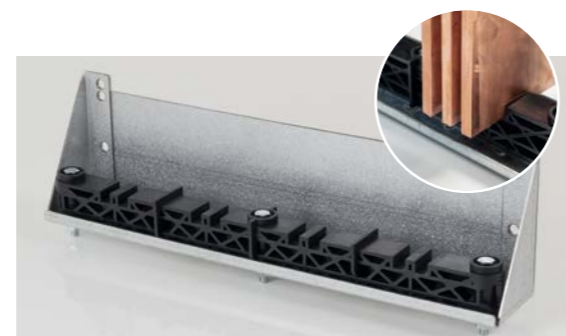
CODICE	CONTENUTO	PESO (kg)	DIM. BARRA (HXSP)	H (MM)	In (A)
IS43014CU3/C	cod. ISP140/4/C, cod. TUB605/C	2,1	80x10	140	3000
IS43314CU3/C	cod. ISP140/4/C, cod. TUB805/C	2,2	100x10	160	3300
IS44014CU3/C	cod. ISP140/4/C, cod. TUB105/C	2,2	120x10	180	4000
IS45014CU3/C	cod. ISP140/4/C, cod. TUB145/C	2,5	160x10	220	5000
IS46314CU3/C	cod. ISP140/4/C, cod. TUB185/C	2,5	200x10	260	6300

TABELLA INTERASSE PORTABARRE					
I.Nom	3000A	3300A	4000A	5000A	6300A
Interasse Max	lcc	lcc	lcc	lcc	lcc
1000mm	30 kA	35 kA	45 kA	50 kA	60 kA
950mm	35 kA	35 kA	50 kA	55 kA	60 kA
900mm	35 kA	35 kA	50 kA	60 kA	60 kA
850mm	40 kA	45 kA	50 kA	60 kA	65 kA
800mm	40 kA	50 kA	50 kA	65 kA	65 kA
750mm	45 kA	50 kA	55 kA	65 kA	65 kA
700mm	45 kA	55 kA	55 kA	65 kA	65 kA
650mm	50 kA	55 kA	55 kA	65 kA	65 kA
600mm	55 kA	55 kA	70 kA	80 kA	85 kA
550mm	60 kA	60 kA	75 kA	85 kA	90 kA
500mm	65 kA	75 kA	85 kA	100 kA	100 kA
450mm	70 kA	85 kA	95 kA	105 kA	105 kA
400mm	80 kA	95 kA	105 kA		
350mm	90 kA	105 kA			
300mm	105 kA				
Codice	IS43014CU3/C	IS43314CU3/C	IS44014CU3/C	IS45014CU3/C	IS46314CU3/C

## SUPPORTO BASE QUADRIPOLORE (INTERASSE FASI 140 MM)

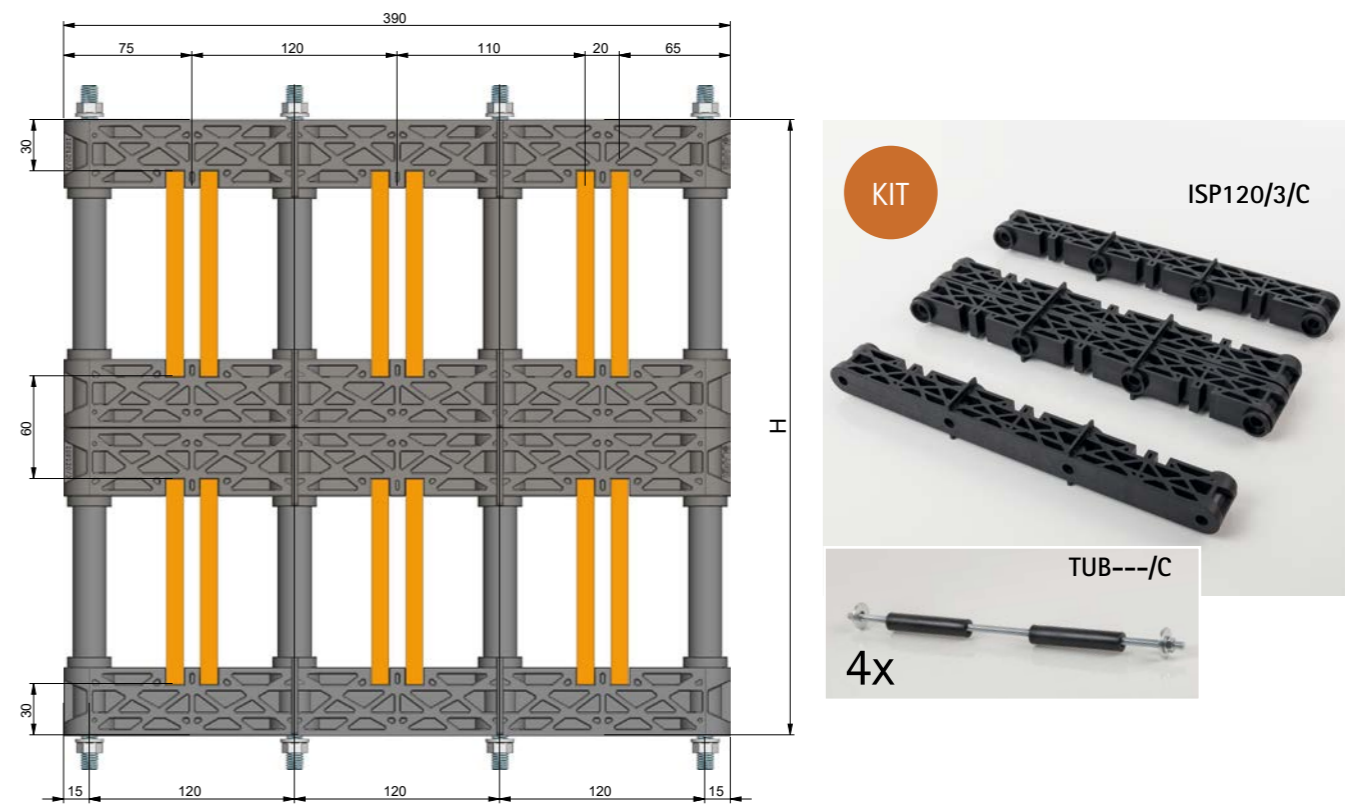
Supporto inferiore con neutro 100% per barre da 3000A a 6300A

CODICE	CONTENUTO	PESO (kg)	In (A)
ISB414CU/C	1	2,1	da 3000A a 6300A



## PORTABARRE LINEAR TRIPOLARE DOPPIA BARRA IN RAME A DOPPIO CONDOTTO (INTERASSE FASI 120 MM)

Isolatore tripolare per sostegno doppia barre in rame da 5000A a 6300A

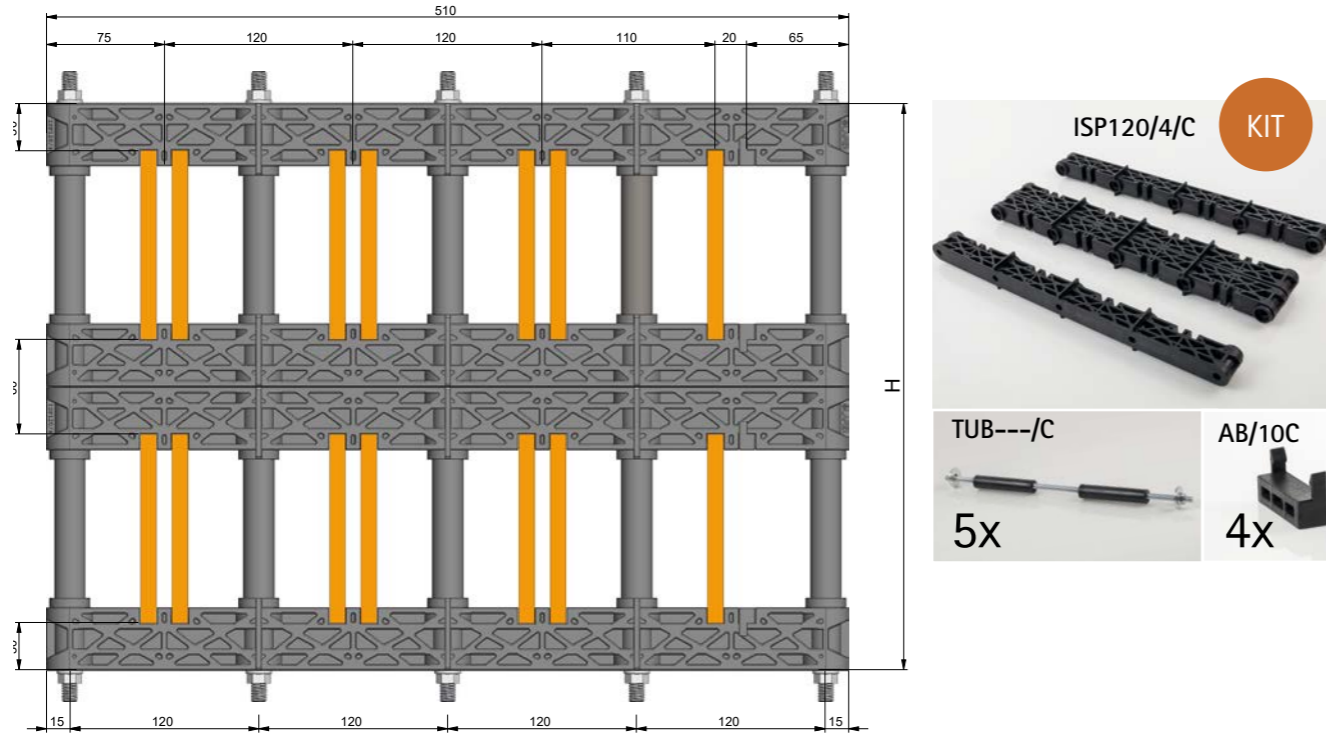


CODICE	CONTENUTO	PESO (kg)	DIM. BARRA (HXSP)	H (MM)	In (A)
IS35012CU2/C	cod. ISP120/3/C, cod. TUB885/C	3,5	100x10	320	5000
IS3630012CU2/C	cod. ISP120/3/C, cod. TUB115/C	3,8	120x10	360	6300

TABELLA INTERASSE PORTABARRE		
I.Nom	5000A	6300A
Interasse Max	lcc	lcc
1000mm	30 kA	35 kA
950mm	35 kA	40 kA
900mm	35 kA	40 kA
850mm	35 kA	40 kA
800mm	40 kA	45 kA
750mm	40 kA	45 kA
700mm	45 kA	45 kA
650mm	45 kA	45 kA
600mm	50 kA	50 kA
550mm	55 kA	60 kA
500mm	60 kA	70 kA
450mm	65 kA	75 kA
400mm	80 kA	90 kA
350mm	90 kA	100 kA
300mm	105 kA	105 kA
Codice	IS35012CU2/C	IS3630012CU2/C

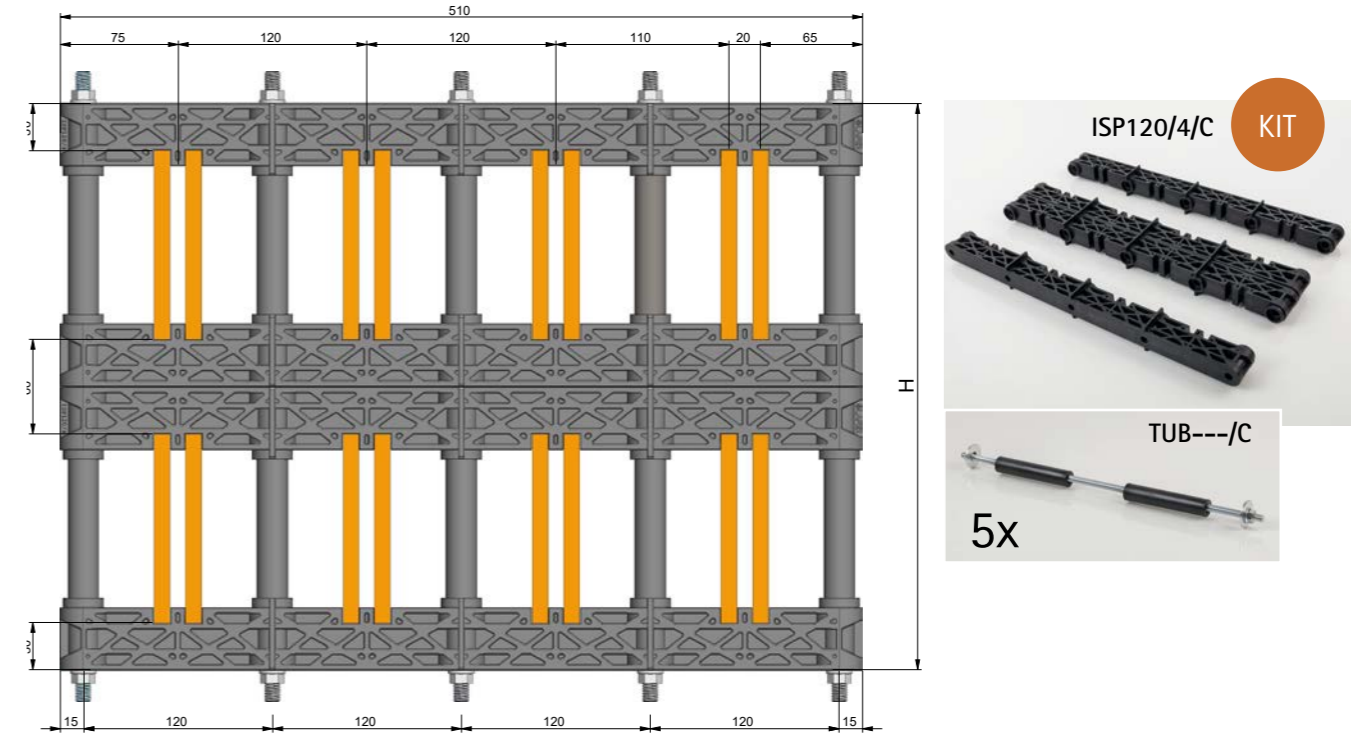
## PORTABARRE LINEAR QUADRIPOLE DOPPIA BARRA IN RAME A DOPPIO CONDOTTO CON NEUTRO 50% (INTERASSE FASI 120 MM)

Isolatore quadripolare per sostegno doppia barre in rame da 5000A a 6300A



## PORTABARRE LINEAR QUADRIPOLE DOPPIA BARRA IN RAME A DOPPIO CONDOTTO CON NEUTRO 100% (INTERASSE FASI 120 MM)

Isolatore quadripolare per sostegno doppia barre in rame da 5000A a 6300A



ISOLATORI LINEARI COMPONIBILI

ISOLATORI LINEARI COMPONIBILI

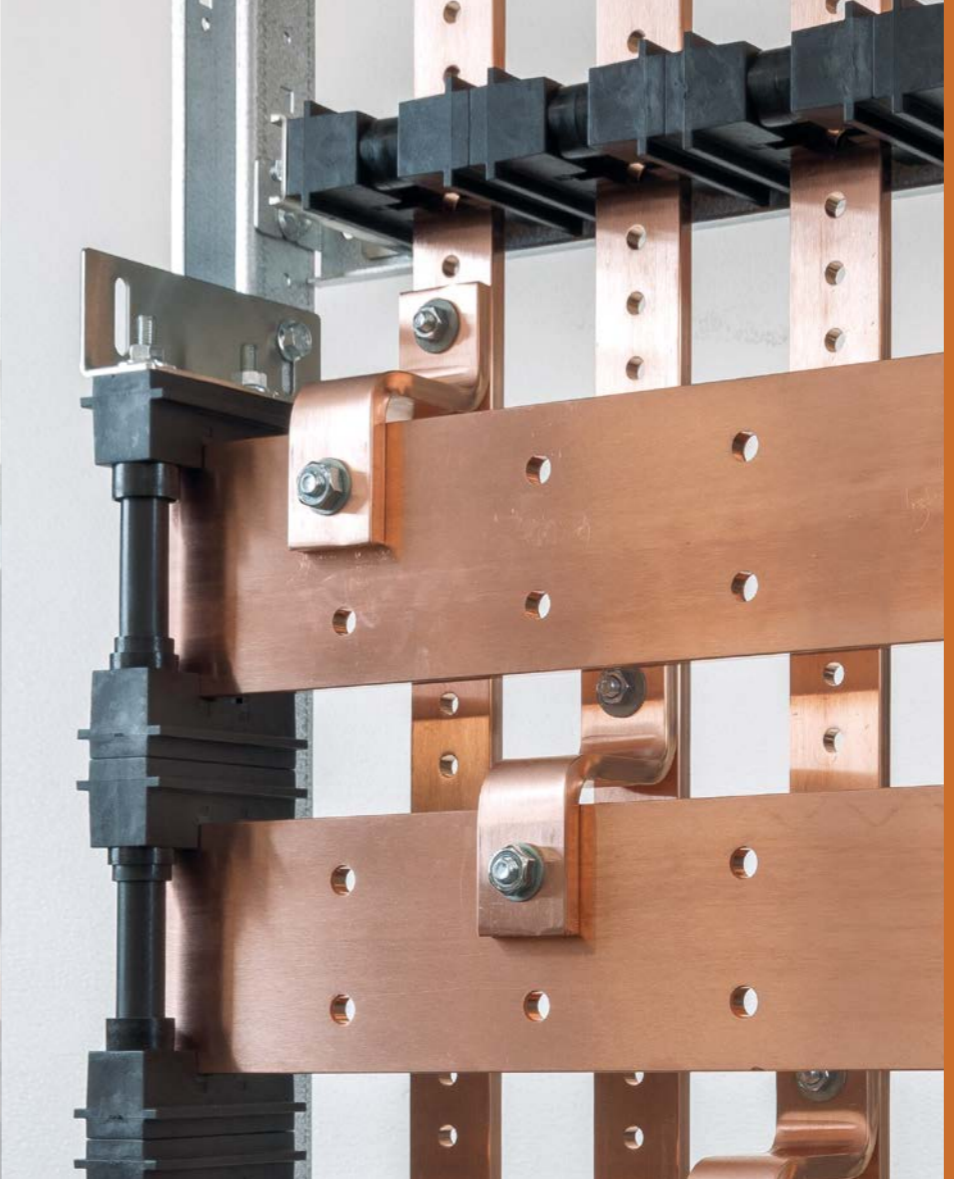
CODICE	CONTENUTO	PESO (kg)	DIM. BARRA (HXSP)	H (MM)	In (A)
IS45012CU2/C	cod. ISP120/4/C, cod. AB/10C, cod. TUB885/C	5,8	320	5000	5000
IS4630012CU2/C	cod. ISP120/4/C, cod. AB/10C, cod. TUB115/C	6,2	360	6300	6300

I.Nom	5000A	6300A
Interasse Max	lcc	lcc
1000mm	30 kA	35 kA
950mm	35 kA	40 kA
900mm	35 kA	40 kA
850mm	35 kA	40 kA
800mm	40 kA	45 kA
750mm	40 kA	45 kA
700mm	45 kA	45 kA
650mm	45 kA	45 kA
600mm	50 kA	50 kA
550mm	55 kA	60 kA
500mm	60 kA	70 kA
450mm	65 kA	75 kA
400mm	80 kA	90 kA
350mm	90 kA	100 kA
300mm	105 kA	105 kA
Codice	IS45012CU2/C	IS4630012CU2/C

CODICE	CONTENUTO	PESO (kg)	DIM. BARRA (HXSP)	H (MM)	In (A)
IS45012CU2/C	cod. ISP120/4/C, cod. TUB885/C	5,8	320	5000	5000
IS4630012CU2/C	cod. ISP120/4/C, cod. TUB115/C	6,2	360	6300	6300

I.Nom	5000A	6300A
Interasse Max	lcc	lcc
1000mm	30 kA	35 kA
950mm	35 kA	40 kA
900mm	35 kA	40 kA
850mm	35 kA	40 kA
800mm	40 kA	45 kA
750mm	40 kA	45 kA
700mm	45 kA	45 kA
650mm	45 kA	45 kA
600mm	50 kA	50 kA
550mm	55 kA	60 kA
500mm	60 kA	70 kA
450mm	65 kA	75 kA
400mm	80 kA	90 kA
350mm	90 kA	100 kA
300mm	105 kA	105 kA
Codice	IS45012CU2/C	IS4630012CU2/C





## PORTA BARRE BACK PER BARRE IN RAME

Portabarre Back-Copper in poliammide, realizzati per supportare profili Smart Energy-Copper fino a 4000 A. Gli isolatori Back Copper sono stati studiati per essere posizionati nella parte posteriore del quadro, in verticale o in orizzontale, in modo da ottimizzare lo spazio disponibile in profondità.

### VANTAGGI

- Massima compattezza
- Velocità di assemblaggio
- Funzionale

### CARATTERISTICHE TECNICHE

- Poliammide 6/6 rinforzato con fibra di vetro
- Autoestinguenza: UL 94-V0
- Temperatura di esercizio continuo: 113° C
- Glow wire test: 965° C
- Colore Nero



### CERTIFICAZIONI

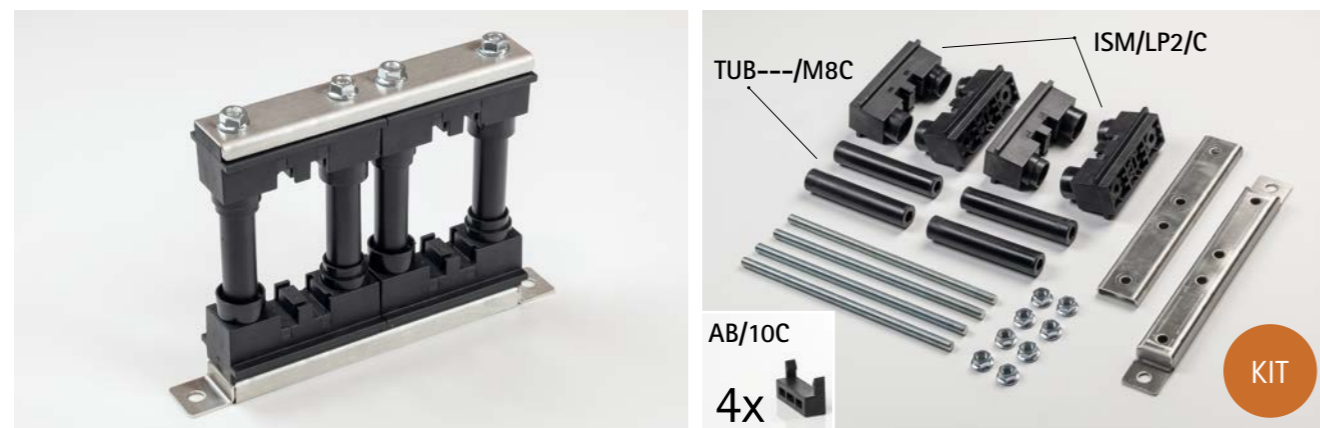
**B7001848**

Verifica della tenuta al corto circuito dei circuiti principali

Inom=3200 A  
Icc=105 kA

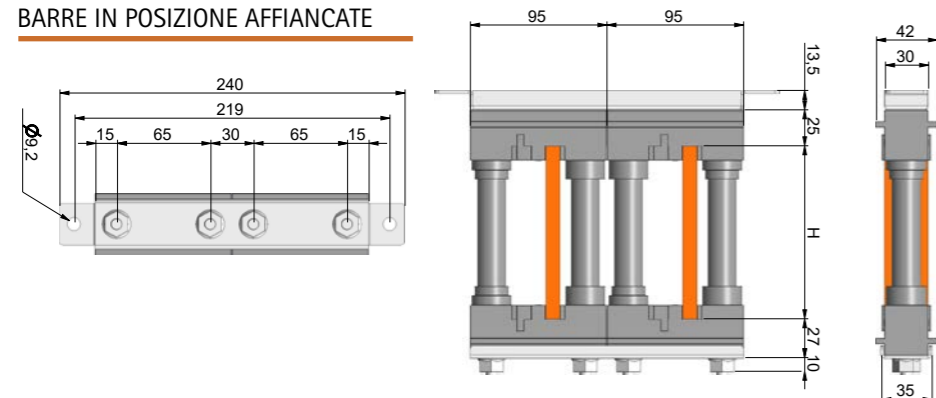
## BACK MONOFASE AFFIANCATO SINGOLA BARRA

Portabarre Back monofase per sostegno barre in rame da 630A fino a 2000A



CODICE	CONTENUTO	PESO (kg)	DIM. BARRA (HXSP)	H (MM)	In (A)
IB263A/CU1/C	cod. ISM/LP2/C, AB/10C, cod. TUB204/M8C	2,7	40x10	90	630
IB280A/CU1/C	cod. ISM/LP2/C, AB/10C, cod. TUB304/M8C	2,7	50x10	100	800
IB210A/CU1/C	cod. ISM/LP2/C, AB/10C, cod. TUB404/M8C	2,8	60x10	110	1000
IB212A/CU1/C	cod. ISM/LP2/C, AB/10C, cod. TUB604/M8C	2,9	80x10	130	1250
IB216A/CU1/C	cod. ISM/LP2/C, AB/10C, cod. TUB804/M8C	3,2	100x10	150	1600
IB218A/CU1/C	cod. ISM/LP2/C, AB/10C, cod. TUB104/M8C	3,2	120x10	170	1800
IB220A/CU1/C	cod. ISM/LP2/C, AB/10C, cod. TUB144/M8C	3,2	160x10	210	2000

### BARRE IN POSIZIONE AFFIANCATE



I.Nom	630A	800A	1000A	1250A	1600A	1800A	2000A
Interasse Max	lcc	lcc	lcc	lcc	lcc	lcc	lcc
1000mm	16 kA	16 kA	20 kA	20 kA	25 kA	30 kA	35 kA
950mm	16 kA	16 kA	20 kA	20 kA	25 kA	30 kA	35 kA
900mm	16 kA	16 kA	20 kA	20 kA	25 kA	30 kA	35 kA
850mm	16 kA	16 kA	20 kA	20 kA	25 kA	30 kA	35 kA
800mm	20 kA	20 kA	25 kA	25 kA	30 kA	35 kA	40 kA
750mm	25 kA	25 kA	30 kA	30 kA	35 kA	40 kA	40 kA
700mm	25 kA	25 kA	30 kA	30 kA	35 kA	40 kA	40 kA
650mm	25 kA	25 kA	30 kA	30 kA	35 kA	40 kA	45 kA
600mm	25 kA	30 kA	30 kA	35 kA	40 kA	40 kA	50 kA
550mm	25 kA	30 kA	35 kA	40 kA	45 kA	50 kA	55 kA
500mm	30 kA	35 kA	40 kA	45 kA	50 kA	55 kA	60 kA
450mm	35 kA	40 kA	45 kA	50 kA	55 kA	60 kA	70 kA
400mm	40 kA	45 kA	50 kA	55 kA	60 kA	70 kA	75 kA
350mm	45 kA	50 kA	55 kA	65 kA	70 kA	80 kA	80 kA
300mm	50 kA	60 kA	65 kA	75 kA	85 kA	85 kA	85 kA
250mm	60 kA	70 kA	75 kA	85 kA			
200mm	80 kA	85 kA	85 kA				
Codice	IB263A/CU1/C	IB280A/CU1/C	IB210A/CU1/C	IB212A/CU1/C	IB216A/CU1/C	IB218A/CU1/C	IB220A/CU1/C

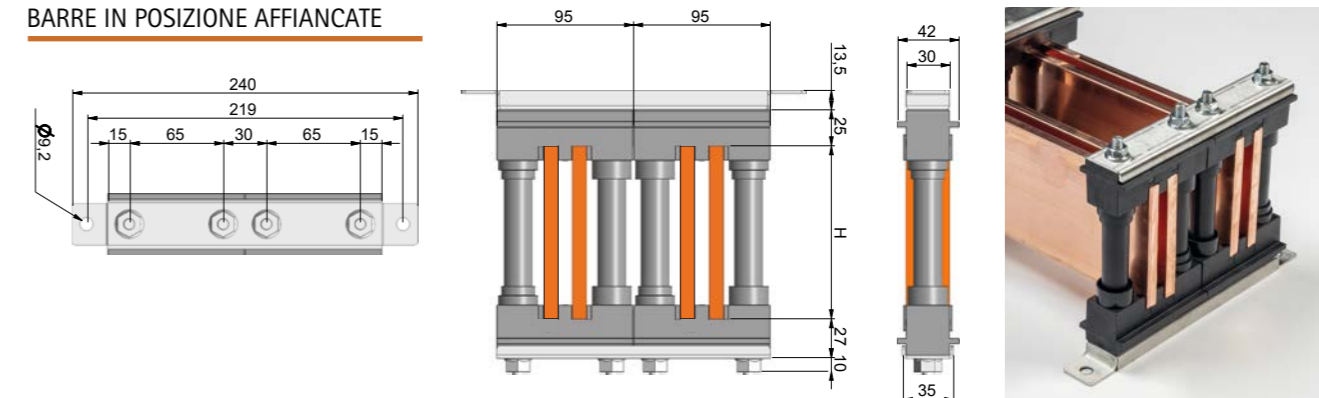
## BACK MONOFASE AFFIANCATO DOPPIA BARRA

Portabarre Back monofase per sostegno barre in rame da 1600A fino a 3600A



CODICE	CONTENUTO	PESO (kg)	DIM. BARRA (HXSP)	H (MM)	In (A)
IB216A/CU2/C	cod. ISM/LP2/C, cod. TUB304/M8C	2,7	50x10	100	1600
IB218A/CU2/C	cod. ISM/LP2/C, cod. TUB404/M8C	2,8	60x10	110	1800
IB220A/CU2/C	cod. ISM/LP2/C, cod. TUB604/M8C	2,9	80x10	130	2000
IB225A/CU2/C	cod. ISM/LP2/C, cod. TUB804/M8C	3,2	100x10	150	2500
IB230A/CU2/C	cod. ISM/LP2/C, cod. TUB104/M8C	3,2	120x10	170	3300
IB236A/CU2/C	cod. ISM/LP2/C, cod. TUB144/M8C	3,2	160x10	210	3600

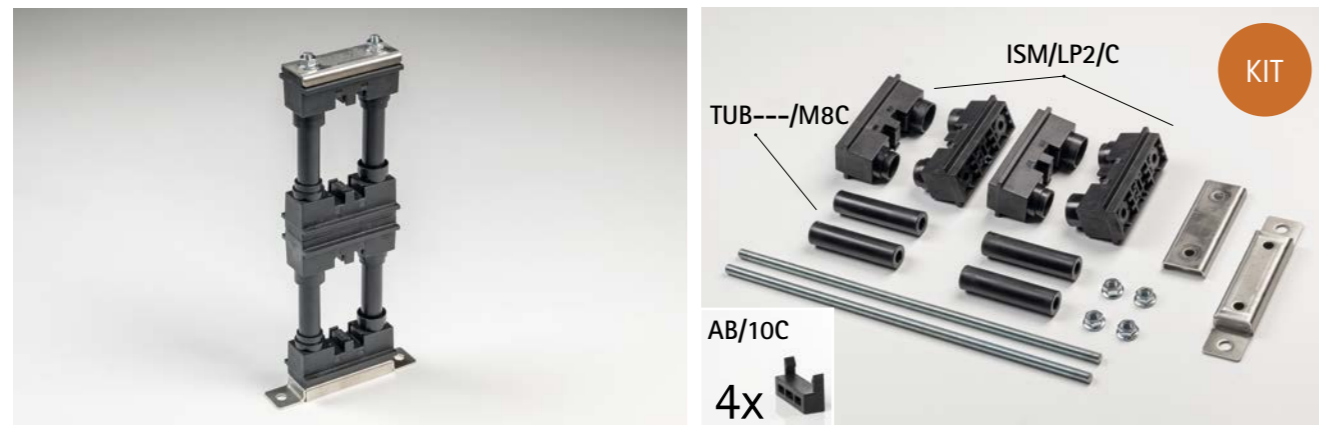
### BARRE IN POSIZIONE AFFIANCATE



I. Nom	1600A	1800A	2000A	2500A	3000A	3600A
Interasse Max	lcc	lcc	lcc	lcc	lcc	lcc
1000mm	20 kA	20 kA	25 kA	30 kA	35 kA	40 kA
950mm	20 kA	20 kA	25 kA	30 kA	35 kA	45 kA
900mm	20 kA	20 kA	25 kA	35 kA	40 kA	45 kA
850mm	20 kA	20 kA	25 kA	35 kA	40 kA	45 kA
800mm	20 kA	25 kA	30 kA	40 kA	45 kA	50 kA
750mm	25 kA	30 kA	35 kA	40 kA	45 kA	50 kA
700mm	25 kA	30 kA	35 kA	45 kA	45 kA	50 kA
650mm	25 kA	30 kA	40 kA	45 kA	45 kA	55 kA
600mm	30 kA	35 kA	45 kA	50 kA	55 kA	60 kA
550mm	30 kA	35 kA	45 kA	55 kA	60 kA	65 kA
500mm	35 kA	40 kA	50 kA	60 kA	70 kA	70 kA
450mm	40 kA	45 kA	55 kA	65 kA	75 kA	75 kA
400mm	45 kA	50 kA	65 kA	75 kA	85 kA	95 kA
350mm	50 kA	60 kA	75 kA	85 kA	90 kA	100 kA
300mm	60 kA	70 kA	85 kA	100 kA	105 kA	105 kA
250mm	70 kA	85 kA	105 kA	105 kA		
200mm	90 kA	105 kA				
Codice	IS216A/CU2/C	IS218A/CU2/C	IS220A/CU2/C	IS225A/CU2/C	IS230A/CU2/C	IS236A/CU2/C

## BACK MONOFASE SOVRAPPOSTO

Portabarre Back monofase per sostegno barre in rame da 630A fino a 2000A



CODICE	CONTENUTO	PESO (kg)	DIM. BARRA (HXSP)	H (MM)	In (A)
IB263CU1/C	cod. ISM/LP4/C, AB/10C cod. TUB220/M8C	2,6	40x10	230	630
IB280CU1/C	cod. ISM/LP4/C, AB/10C cod. TUB230/M8C	2,7	50x10	250	800
IB210CU1/C	cod. ISM/LP4/C, AB/10C cod. TUB240/M8C	2,9	60x10	270	1000
IB212CU1/C	cod. ISM/LP4/C, AB/10C cod. TUB260/M8C	3	80x10	310	1250
IB216CU1/C	cod. ISM/LP4/C, AB/10C cod. TUB280/M8C	3,2	100x10	350	1600
IB218CU1/C	cod. ISM/LP4/C, AB/10C cod. TUB210/M8C	3,4	120x10	390	1800
IB220CU1/C	cod. ISM/LP4/C, AB/10C cod. TUB214/M8C	3,6	160x10	470	2000

### BARRE IN POSIZIONE SOVRAPPOSTO

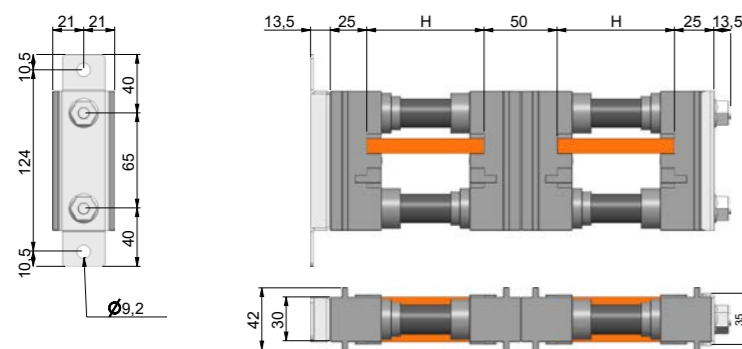
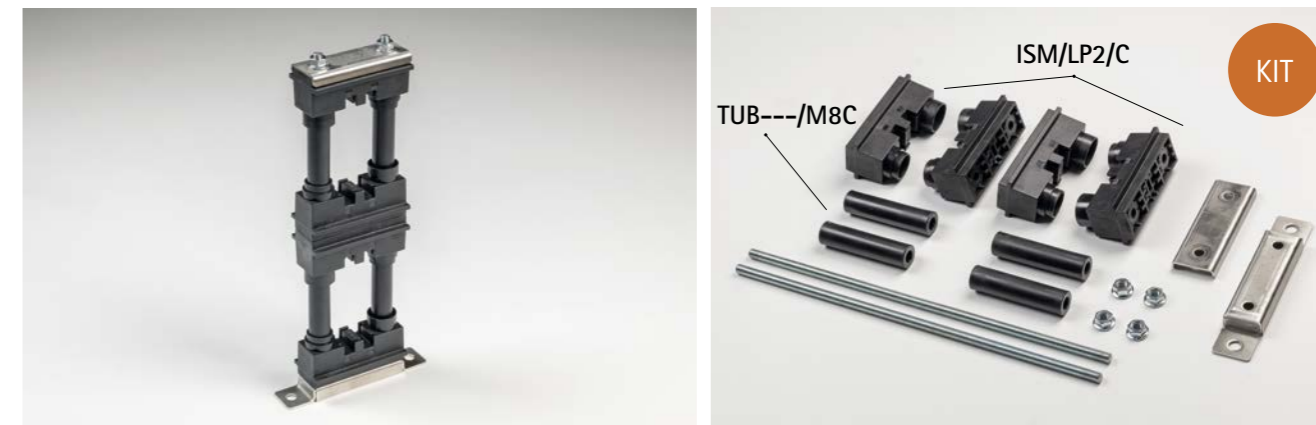


TABELLA INTERASSE PORTABARRE							
I.Nom	630A	800A	1000A	1250A	1600A	1800A	2000A
Interasse Max	lcc	lcc	lcc	lcc	lcc	lcc	lcc
1000mm	16 kA	20 kA	25 kA	30 kA	35 kA	40 kA	50 kA
950mm	20 kA	20 kA	25 kA	30 kA	35 kA	40 kA	55 kA
900mm	20 kA	20 kA	25 kA	30 kA	40 kA	45 kA	60 kA
850mm	20 kA	25 kA	25 kA	35 kA	40 kA	45 kA	60 kA
800mm	20 kA	25 kA	30 kA	35 kA	45 kA	50 kA	65 kA
750mm	20 kA	25 kA	30 kA	40 kA	45 kA	55 kA	70 kA
700mm	25 kA	30 kA	30 kA	40 kA	50 kA	60 kA	75 kA
650mm	25 kA	30 kA	35 kA	45 kA	55 kA	65 kA	80 kA
600mm	30 kA	30 kA	35 kA	50 kA	60 kA	70 kA	80 kA
550mm	30 kA	35 kA	40 kA	50 kA	65 kA	75 kA	85 kA
500mm	35 kA	40 kA	45 kA	60 kA	70 kA	80 kA	90 kA
450mm	35 kA	45 kA	50 kA	65 kA	80 kA	85 kA	95 kA
400mm	40 kA	50 kA	60 kA	75 kA	85 kA	90 kA	100 kA
350mm	50 kA	55 kA	65 kA	85 kA	95 kA	100 kA	105 kA
300mm	55 kA	65 kA	75 kA	95 kA	100 kA	105 kA	
250mm	70 kA	80 kA	95 kA	105 kA			
200mm	85 kA	100 kA	105 kA				
Codice	IB263CU1/C	IB280CU1/C	IB210CU1/C	IB212CU1/C	IB216CU1/C	IB218CU1/C	IB220CU1/C

## BACK MONOFASE SOVRAPPOSTO DOPPIA BARRA

Portabarre Back monofase per sostegno barre in rame da 1250A fino a 3600A



CODICE	CONTENUTO	PESO (kg)	DIM. BARRA (HXSP)	H (MM)	In (A)
IB212CU2/C	cod. ISM/LP4/C cod. TUB220/M8C	4,6	40x10	230	1250
IB216CU2/C	cod. ISM/LP4/C cod. TUB230/M8C	4,7	50x10	250	1600
IB218CU2/C	cod. ISM/LP4/C cod. TUB240/M8C	4,6	60x10	270	1800
IB220CU2/C	cod. ISM/LP4/C cod. TUB260/M8C	4,7	80x10	310	2000
IB225CU2/C	cod. ISM/LP4/C cod. TUB280/M8C	4,7	100x10	350	2500
IB2430CU2/C	cod. ISM/LP4/C cod. TUB210/M8C	4,6	120x10	390	3000
IB236CU2/C	cod. ISM/LP4/C cod. TUB214/M8C	5	160x10	470	3600

### BARRE IN POSIZIONE SOVRAPPOSTO

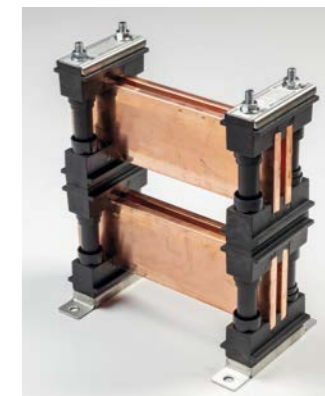
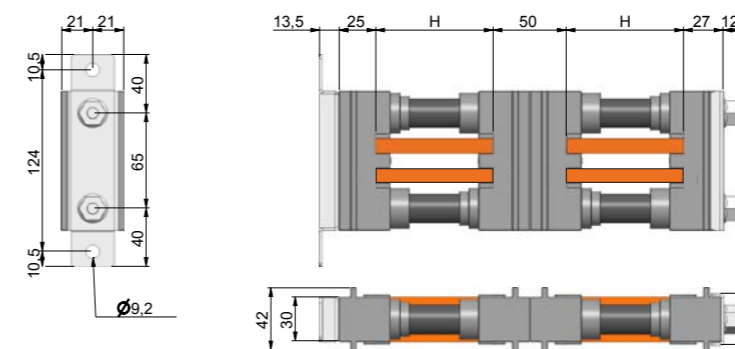
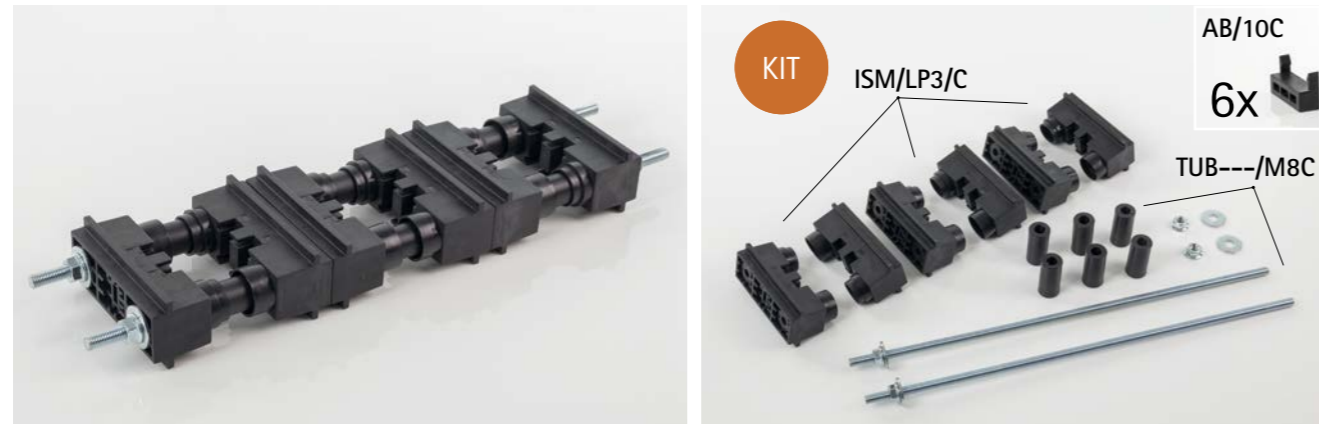


TABELLA INTERASSE PORTABARRE							
I.Nom	1250A	1600A	1800A	2000A	2500A	3000A	3600A
Interasse Max	lcc	lcc	lcc	lcc	lcc	lcc	lcc
1000mm	16 kA	20 kA	25 kA	30 kA	35 kA	40 kA	50 kA
950mm	20 kA	20 kA	25 kA	30 kA	35 kA	40 kA	55 kA
900mm	20 kA	20 kA	25 kA	30 kA	40 kA	45 kA	60 kA
850mm	20 kA	25 kA	25 kA	35 kA	40 kA	45 kA	60 kA
800mm	20 kA	25 kA	30 kA	35 kA	45 kA	50 kA	65 kA
750mm	20 kA	25 kA	30 kA	40 kA	45 kA	55 kA	70 kA
700mm	25 kA	30 kA	30 kA	40 kA	50 kA	60 kA	75 kA
650mm	25 kA	30 kA	35 kA	45 kA	55 kA	65 kA	80 kA
600mm	30 kA	30 kA	35 kA	50 kA	60 kA	70 kA	80 kA
550mm	30 kA	35 kA	40 kA	50 kA	65 kA	75 kA	85 kA
500mm	35 kA	40 kA	45 kA	60 kA	70 kA	80 kA	90 kA
450mm	35 kA	45 kA	50 kA	65 kA	80 kA	85 kA	95 kA
400mm	40 kA	50 kA	60 kA	75 kA	85 kA	90 kA	100 kA
350mm	50 kA	55 kA	65 kA	85 kA	95 kA	100 kA	105 kA
300mm	55 kA	65 kA	75 kA	95 kA	100 kA	105 kA	
250mm	70 kA	80 kA	95 kA	105 kA			
200mm	85 kA	100 kA	105 kA				
Codice	IB212CU2/C	IB216CU2/C	IB218CU2/C	IB220CU2/C	IB225CU2/C	IB230CU2/C	IB236CU2/C

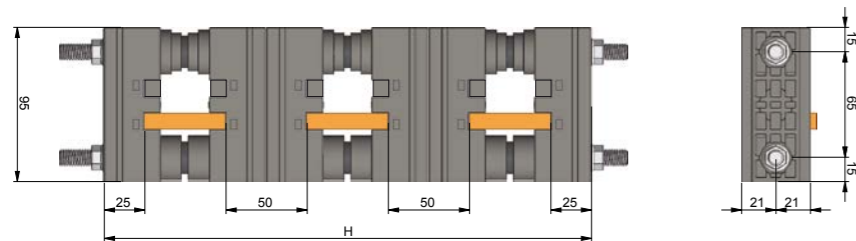
## BACK TRIPOLARE VERTICALE/ORIZZONTALE

Portabarre Back tripolare per sostegno barre in rame da 630A fino a 2000A  
posizionato nella parte posteriore del quadro per sistema sbarre orizzontale o verticale



CODICE	CONTENUTO	PESO (kg)	DIM. BARRA (HXSP)	H (MM)	In (A)
IB363CU1/C	cod. ISM/LP3/C, AB/10C, cod. TUB320/M8C	3,4	40x10	270	630
IB380CU1/C	cod. ISM/LP3/C, AB/10C, cod. TUB330/M8C	3,4	50x10	300	800
IB310CU1/C	cod. ISM/LP3/C, AB/10C, cod. TUB340/M8C	3,5	60x10	330	1000
IB312CU1/C	cod. ISM/LP3/C, AB/10C, cod. TUB360/M8C	3,6	80x10	390	1250
IB316CU1/C	cod. ISM/LP3/C, AB/10C, cod. TUB380/M8C	3,7	100x10	450	1600
IB318CU1/C	cod. ISM/LP3/C, AB/10C, cod. TUB3100/M8C	3,7	120x10	510	1800
IB320CU1/C	cod. ISM/LP3/C, AB/10C, cod. TUB3140/M8C	3,7	160x10	630	2000

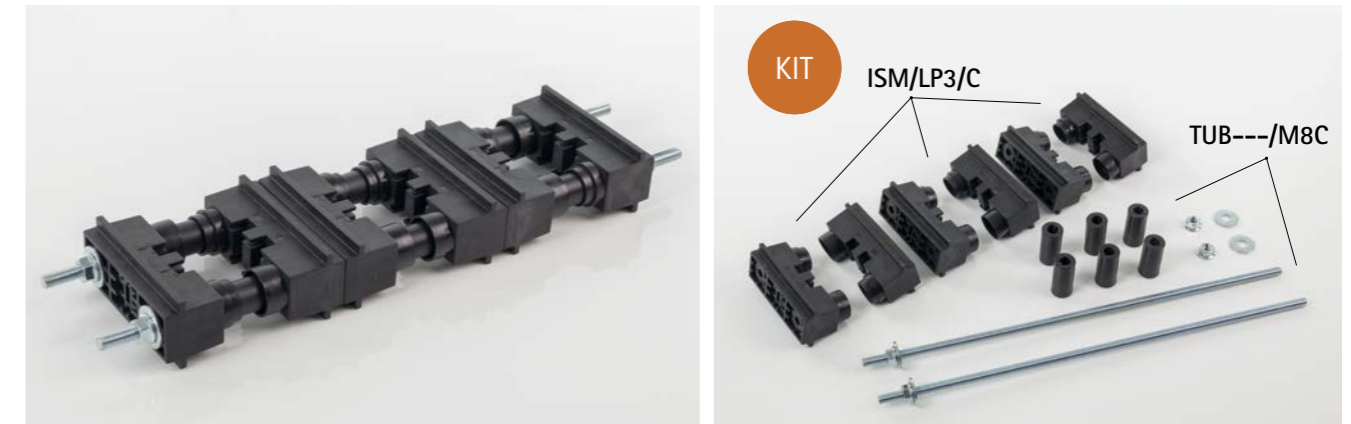
### BARRE IN POSIZIONE VERTICALE



I.Nom	630A	800A	1000A	1250A	1600A	1800A	2000A
Interasse Max	lcc	lcc	lcc	lcc	lcc	lcc	lcc
1000mm	16 kA	20 kA	25 kA	30 kA	35 kA	40 kA	50 kA
950mm	20 kA	20 kA	25 kA	30 kA	35 kA	40 kA	55 kA
900mm	20 kA	20 kA	25 kA	30 kA	40 kA	45 kA	60 kA
850mm	20 kA	25 kA	25 kA	35 kA	40 kA	45 kA	60 kA
800mm	20 kA	25 kA	30 kA	35 kA	45 kA	50 kA	65 kA
750mm	20 kA	25 kA	30 kA	40 kA	45 kA	55 kA	70 kA
700mm	25 kA	30 kA	30 kA	40 kA	50 kA	60 kA	75 kA
650mm	25 kA	30 kA	35 kA	45 kA	55 kA	65 kA	80 kA
600mm	30 kA	30 kA	35 kA	50 kA	60 kA	70 kA	80 kA
550mm	30 kA	35 kA	40 kA	50 kA	65 kA	75 kA	85 kA
500mm	35 kA	40 kA	45 kA	60 kA	70 kA	80 kA	90 kA
450mm	35 kA	45 kA	50 kA	65 kA	80 kA	85 kA	95 kA
400mm	40 kA	50 kA	60 kA	75 kA	85 kA	90 kA	100 kA
350mm	50 kA	55 kA	65 kA	85 kA	95 kA	100 kA	105 kA
300mm	55 kA	65 kA	75 kA	95 kA	100 kA	105 kA	
250mm	70 kA	80 kA	95 kA	105 kA			
200mm	85 kA	100 kA	105 kA				
Codice	IB363CU1/C	IB380CU1/C	IB310CU1/C	IB312CU1/C	IB316CU1/C	IB318CU1/C	IB320CU1/C

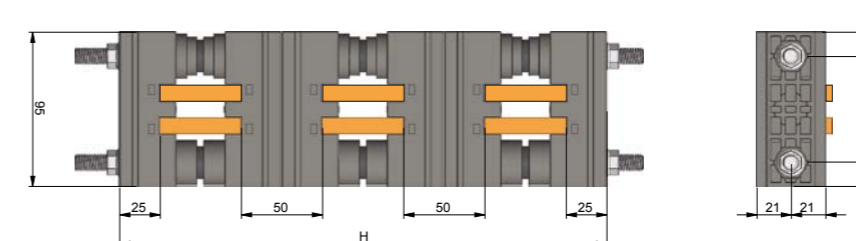
## BACK TRIPOLARE VERTICALE/ORIZZONTALE DOPPIA BARRA

Portabarre Back tripolare per sostegno barre in rame da 1250A fino a 3600A  
posizionato nella parte posteriore del quadro per sistema sbarre orizzontale o verticale



CODICE	CONTENUTO	PESO (kg)	DIM. BARRA (HXSP)	H (MM)	In (A)
IB312CU2/C	cod. ISM/LP3/C, cod. TUB320/M8C	3,5	40x10	270	1250
IB316CU2/C	cod. ISM/LP3/C, cod. TUB330/M8C	3,5	50x10	300	1600
IB318CU2/C	cod. ISM/LP3/C, cod. TUB340/M8C	3,5	60x10	330	1800
IB320CU2/C	cod. ISM/LP3/C, cod. TUB360/M8C	3,6	80x10	390	2000
IB325CU2/C	cod. ISM/LP3/C, cod. TUB380/M8C	3,7	100x10	450	2500
IB330CU2/C	cod. ISM/LP3/C, cod. TUB300/M8C	3,8	120x10	510	3300
IB336CU2/C	cod. ISM/LP3/C, cod. TUB3140/M8C	4	160x10	630	3600

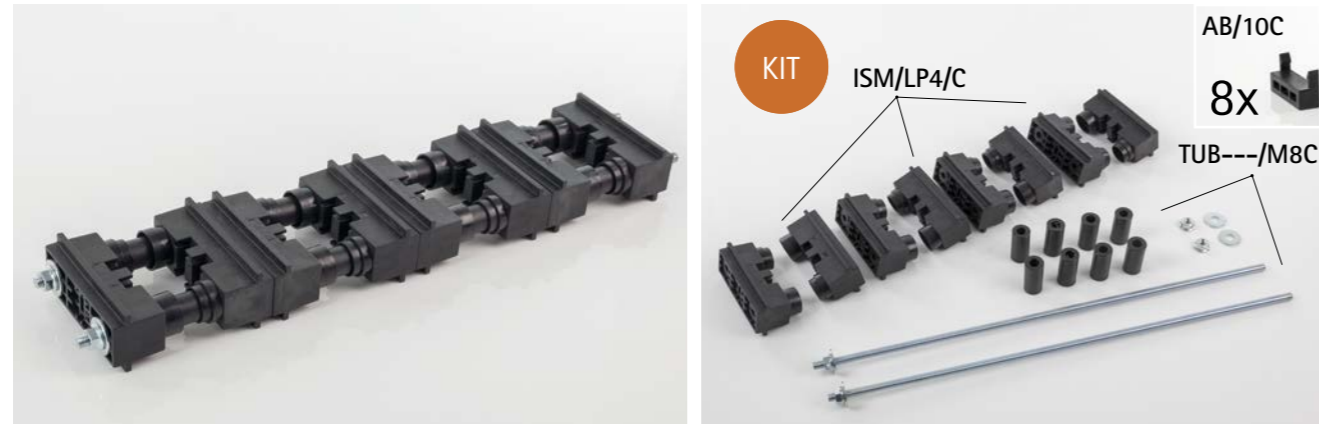
### BARRE IN POSIZIONE VERTICALE



I.Nom	1250A	1600A	1800A	2000A	2500A	3000A	3600A
Interasse Max	lcc	lcc	lcc	lcc	lcc	lcc	lcc
1000mm	16 kA	20 kA	25 kA	30 kA	35 kA	40 kA	50 kA
950mm	20 kA	20 kA	25 kA	30 kA	35 kA	40 kA	55 kA
900mm	20 kA	20 kA	25 kA	30 kA	40 kA	45 kA	60 kA
850mm	20 kA	25 kA	25 kA	35 kA	40 kA	45 kA	60 kA
800mm	20 kA	25 kA	30 kA	35 kA	45 kA	50 kA	65 kA
750mm	20 kA	25 kA	30 kA	40 kA	45 kA	55 kA	70 kA
700mm	25 kA	30 kA	30 kA	40 kA	50 kA	60 kA	75 kA
650mm	25 kA	30 kA	35 kA	45 kA	55 kA	65 kA	80 kA
600mm	30 kA	30 kA	35 kA	50 kA	60 kA	70 kA	80 kA
550mm	30 kA	35 kA	40 kA	50 kA	65 kA	75 kA	85 kA
500mm	35 kA	40 kA	45 kA	60 kA	70 kA	80 kA	90 kA
450mm	35 kA	45 kA	50 kA	65 kA	80 kA	85 kA	95 kA
400mm	40 kA	50 kA	60 kA	75 kA	85 kA	90 kA	100 kA
350mm	50 kA	55 kA	65 kA	85 kA	95 kA	100 kA	105 kA
300mm	55 kA	65 kA	75 kA	95 kA	100 kA	105 kA	
250mm	70 kA	80 kA	95 kA	105 kA			
200mm	85 kA	100 kA	105 kA				
Codice	IB312CU2/C	IB316CU2/C	IB318CU2/C	IB320CU2/C	IB325CU2/C	IB330CU2/C	IB336CU2/C

## BACK QUADRIPOLARE VERTICALE/ORIZZONTALE

Portabarre Back quadripolare per sostegno barre in rame da 630A fino a 2000A posizionate in orizzontale o in verticale



CODICE	CONTENUTO	PESO (kg)	DIM. BARRA (HXSP)	H (MM)	In (A)
IB463CU1/C	cod. ISM/LP4/C cod. TUB420/M8C	4,4	40x10	270	630
IB480CU1/C	cod. ISM/LP4/C cod. TUB430/M8C	4,3	50x10	300	800
IB410CU1/C	cod. ISM/LP4/C cod. TUB440/M8C	4,6	60x10	330	1000
IB412CU1/C	cod. ISM/LP4/C cod. TUB460/M8C	4,7	80x10	390	1250
IB416CU1/C	cod. ISM/LP4/C cod. TUB480/M8C	4,8	100x10	450	1600
IB418CU1/C	cod. ISM/LP4/C cod. TUB3100/M8C	4,7	120x10	510	1800
IB420CU1/C	cod. ISM/LP4/C cod. TUB3140/M8C	4,8	160x10	630	2000

### BARRE IN POSIZIONE VERTICALE

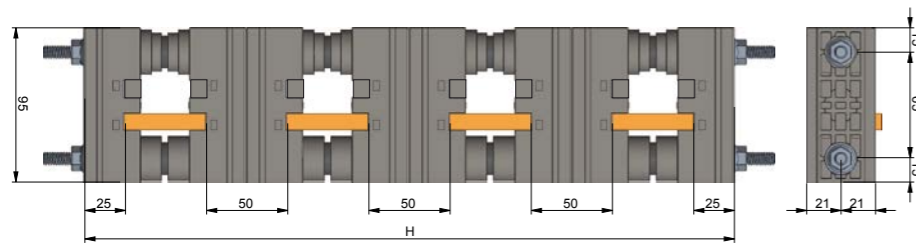
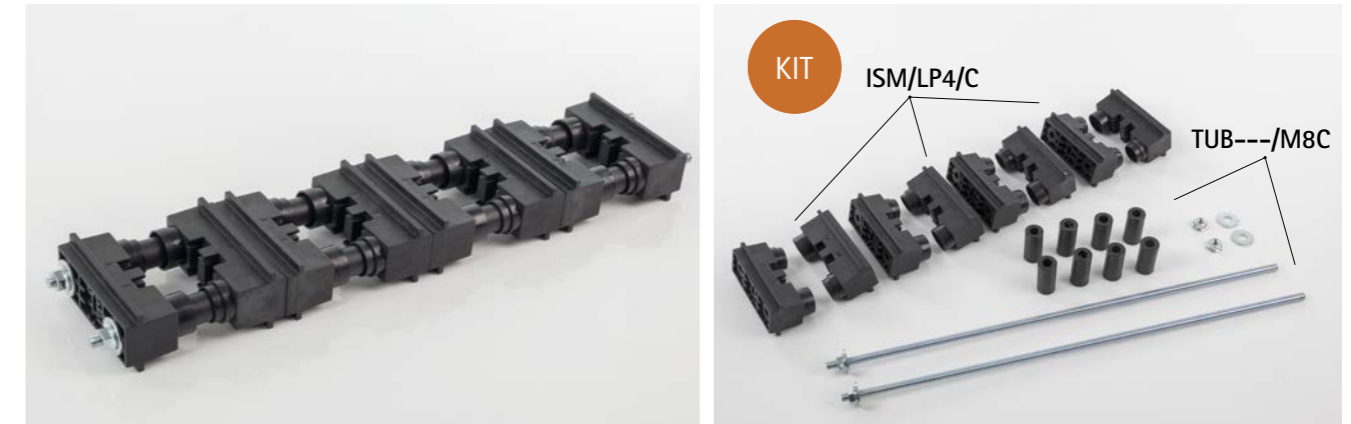


TABELLA INTERASSE PORTABARRE							
I.Nom	630A	800A	1000A	1250A	1600A	1800A	2000A
Interasse Max	lcc	lcc	lcc	lcc	lcc	lcc	lcc
1000mm	16 kA	20 kA	25 kA	30 kA	35 kA	40 kA	50 kA
950mm	20 kA	20 kA	25 kA	30 kA	35 kA	40 kA	55 kA
900mm	20 kA	20 kA	25 kA	30 kA	40 kA	45 kA	60 kA
850mm	20 kA	25 kA	25 kA	35 kA	40 kA	45 kA	60 kA
800mm	20 kA	25 kA	30 kA	35 kA	45 kA	50 kA	65 kA
750mm	20 kA	25 kA	30 kA	40 kA	45 kA	55 kA	70 kA
700mm	25 kA	30 kA	30 kA	40 kA	50 kA	60 kA	75 kA
650mm	25 kA	30 kA	35 kA	45 kA	55 kA	65 kA	80 kA
600mm	30 kA	30 kA	35 kA	50 kA	60 kA	70 kA	80 kA
550mm	30 kA	35 kA	40 kA	50 kA	65 kA	75 kA	85 kA
500mm	35 kA	40 kA	45 kA	60 kA	70 kA	80 kA	90 kA
450mm	35 kA	45 kA	50 kA	65 kA	80 kA	85 kA	95 kA
400mm	40 kA	50 kA	60 kA	75 kA	85 kA	90 kA	100 kA
350mm	50 kA	55 kA	65 kA	85 kA	95 kA	100 kA	105 kA
300mm	55 kA	65 kA	75 kA	95 kA	100 kA	105 kA	
250mm	70 kA	80 kA	95 kA	105 kA			
200mm	85 kA	100 kA	105 kA				
Codice	IB463CU1/C	IB480CU1/C	IB410CU1/C	IB412CU1/C	IB416CU1/C	IB418CU1/C	IB420CU1/C

## BACK QUADRIPOLARE VERTICALE/ORIZZONTALE DOPPIA BARRA

Portabarre Back quadripolare per sostegno barre in rame da 1250A fino a 3600A posizionate in orizzontale o in verticale



CODICE	CONTENUTO	PESO (kg)	DIM. BARRA (HXSP)	H (MM)	In (A)
IB412CU2/C	cod. ISM/LP4/C cod. TUB420/M8C	4,6	40x10	270	1250
IB416CU2/C	cod. ISM/LP4/C cod. TUB430/M8C	4,7	50x10	300	1600
IB418CU2/C	cod. ISM/LP4/C cod. TUB440/M8C	4,6	60x10	330	1800
IB420CU2/C	cod. ISM/LP4/C cod. TUB460/M8C	4,7	80x10	390	2000
IB425CU2/C	cod. ISM/LP4/C cod. TUB480/M8C	4,7	100x10	450	2500
IB430CU2/C	cod. ISM/LP4/C cod. TUB3100/M8C	4,6	120x10	510	3000
IB436CU2/C	cod. ISM/LP4/C cod. TUB3140/M8C	5	160x10	630	3600

### BARRE IN POSIZIONE VERTICALE

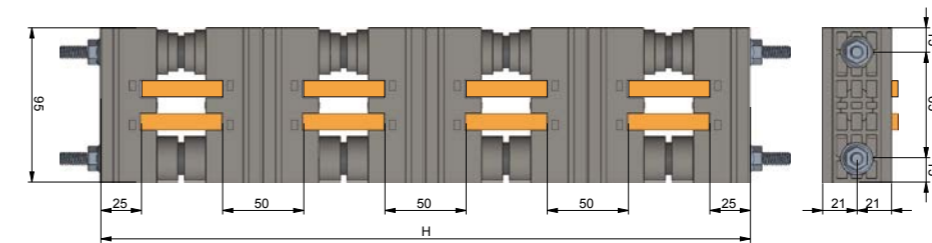
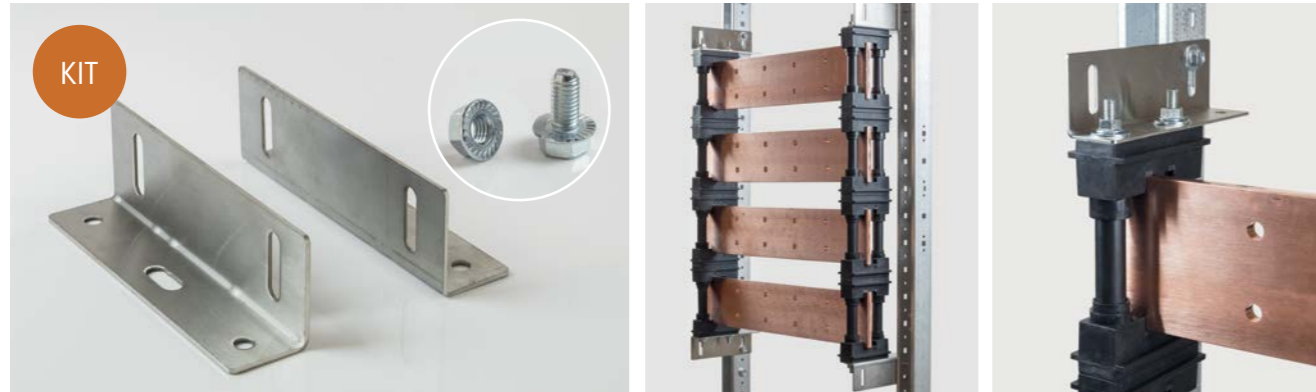


TABELLA INTERASSE PORTABARRE							
I.Nom	1250A	1600A	1800A	2000A	2500A	3000A	3600A
Interasse Max	lcc	lcc	lcc	lcc	lcc	lcc	lcc
1000mm	16 kA	20 kA	25 kA	30 kA	35 kA	40 kA	50 kA
950mm	20 kA	20 kA	25 kA	30 kA	35 kA	40 kA	55 kA
900mm	20 kA	20 kA	25 kA	30 kA	40 kA	45 kA	60 kA
850mm	20 kA	25 kA	25 kA	35 kA	40 kA	45 kA	60 kA
800mm	20 kA	25 kA	30 kA	35 kA	45 kA	50 kA	65 kA
750mm	20 kA	25 kA	30 kA	40 kA	45 kA	55 kA	70 kA
700mm	25 kA	30 kA	30 kA	40 kA	50 kA	60 kA	75 kA
650mm	25 kA	30 kA	35 kA	45 kA	55 kA	65 kA	80 kA
600mm	30 kA	30 kA	35 kA	50 kA	60 kA	70 kA	80 kA
550mm	30 kA	35 kA	40 kA	50 kA	65 kA	75 kA	85 kA
500mm	35 kA	40 kA	45 kA	60 kA	70 kA	80 kA	90 kA
450mm	35 kA	45 kA	50 kA	65 kA	80 kA	85 kA	95 kA
400mm	40 kA	50 kA	60 kA	75 kA	85 kA	90 kA	100 kA
350mm	50 kA	55 kA	65 kA	85 kA	95 kA	100 kA	105 kA
300mm	55 kA	65 kA	75 kA	95 kA	100 kA	105 kA	
250mm	70 kA	80 kA	95 kA	105 kA			
200mm	85 kA	100 kA	105 kA				
Codice	IB412CU2/C	IB416CU2/C	IB418CU2/C	IB420CU2/C	IB425CU2/C	IB430CU2/C	IB436CU2/C

## STAFFE PORTABARRE BACK ORIZZONTALE

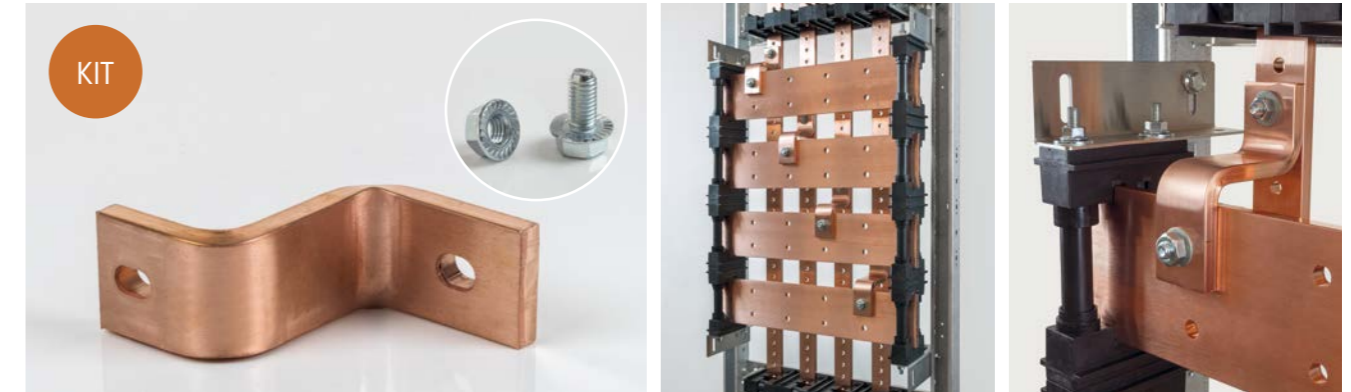
Staffe in acciaio inox per fissaggio portabarre Back (orizzontale)



CODICE	CONTENUTO	PESO (kg)
SHLB/C	4 staffe + 4 viti / dadi	0,8

## GIUNZIONI IN RAME PER SISTEMA SBARRE BACK

Giunzioni in rame per il collegamento con sistemi sbarre Back tripolari o quadripolari, in posizione orizzontale o verticale



CODICE	CONTENUTO	PESO (kg)	N.POLI	IN (A)	SEZIONE RAME	DIM. (H1xP2xH2)
GOP83/C	3 staffe + 6 viti / dadi	1,35	3	da 630A a 800A	50x10	70x80x50
GOP84/C	4 staffe + 8 viti / dadi	1,8	4	da 630A a 800A	50x10	70x80x50
GOP103/C	3 staffe + 6 viti / dadi	1,44	3	1000A	60x10	70x80x50
GOP104/C	4 staffe + 8 viti / dadi	1,9	4	1000A	60x10	70x80x50

## STAFFE PORTABARRE BACK VERTICALE

Staffe in acciaio inox per fissaggio portabarre Back (verticale)



CODICE	CONTENUTO	PESO (kg)
SVLB/C	6 staffe + 6 viti / dadi	0,65

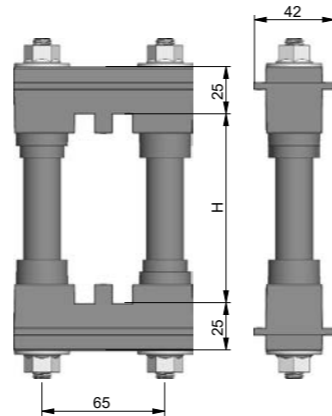
## PORTABARRE MODULAR FINO A 4000A ALUBAR / SMART ENERGY-PLUS

Portabarre modulare in larghezza, prevalentemente utilizzato per connessione blindo di potenza o sistemi sbarre speciali



TABELLA INTERASSE PORTABARRE

CODICE ISOLATORE	BARRA ALLUMINIO			SMART ENERGY PLUS		
	DIM. BARRA (HxSP)	BARRA SINGOLA IN (A)	BARRA DOPPIA IN (A)	DIM. BARRA (HxSP)	CODICE	IN (A)
ISK50/C	50x10	500A	630A	50x30	BA6P	630A 800A 1000A
ISK60/C	60x10	800A	1400A	60x30	BA12P	1250A
ISK80/C	80x10	1000A	1800A	80x30	BA16P	1600A
ISK100/C	100x10	1200A	2000A	100x30	BA20P	2000A
ISK120/C	120x10	1250A	2500A	120x30	BA25P	2500A
ISK150/C	-	-	-	150x30	BA32P	3200A
ISK160/C	160x10	1800A	3000A	-	-	-
ISK180/C	-	-	-	180x30	BA40P	4000A
ISK200/C	200x10	-	-	-	-	-



ISOLATORI LINEARI COMPONIBILI

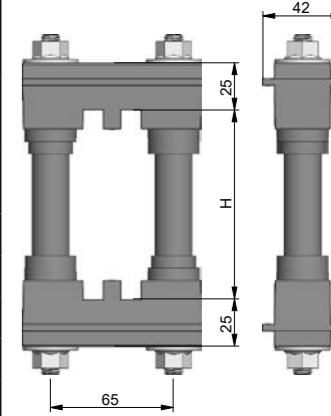
## PORTABARRE MODULAR FINO A 4000A PIATTO RAME / SMART ENERGY-COPPER

Portabarre modulare in larghezza, prevalentemente utilizzato per connessione blindo di potenza o sistemi sbarre speciali



TABELLA INTERASSE PORTABARRE

CODICE ISOLATORE	BARRA RAME			SMART ENERGY COPPER		
	DIM. BARRA (HxSP)	BARRA SINGOLA IN (A)	BARRA DOPPIA IN (A)	DIM. BARRA (HxSP)	CODICE	IN (A)
ISK40/C	40x10	630A	-	40x30	BR16P BR8P	800A 1600A
ISK50/C	50x10	800A	-	50x30	BR12P BR16P	1250A 1600A
ISK60/C	60x10	1000A	1800A	60x30	-	-
ISK80/C	80x10	1250A	2000A	80x30	BR20P	2000A
ISK100/C	100x10	1600A	2500A	100x30	BR25P	2500A
ISK120/C	120x10	-	3300A	120x30	BR32P	3200A
ISK150/C	-	-	-	150x30	BR40P	4000A
ISK160/C	160x10	-	3600A	-	-	-
ISK200/C	200x10	-	4000A	-	-	-



ISOLATORI LINEARI COMPONIBILI



## STAFFE PORTABARRE MODULAR

Staffe in acciaio inox per fissaggio portabarre modular



CODICE	CONTENUTO	PESO (kg)
SB90/C	1 staffa superiore e 1 staffa inferiore	0,7

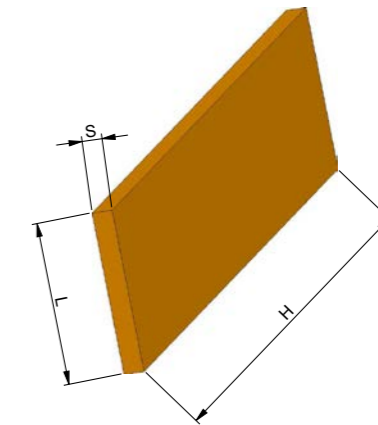
# BARRE IN RAME

Barre in rame elettrolitico di diverse sezioni fino a 4000 A, disponibili in spessori da 5 mm a 10 mm con una larghezza massima di 2000 mm.



## BARRE IN RAME

Barra piena in rame con lunghezza nominale da 2000 mm



CODICE	CONTENUTO	PESO (kg)	LARGHEZZA (MM)	SPESSORE (MM)	ALTEZZA (MM)	SEZ (MM <sup>2</sup> )
CU/20520	1	1,8	20	5	2000	100
CU/40520	1	3,6	40	5	2000	200
CU/50520	1	4,5	50	5	2000	250
CU/60520	1	5,4	60	5	2000	300
CU/100520	1	8,9	100	5	2000	500
CU/40620	1	4,3	40	6	2000	240
CU/30820	1	4,3	30	8	2000	240
CU/40820	1	5,7	40	8	2000	320
CU/50820	1	7,1	50	8	2000	400
CU/301020	1	5,4	30	10	2000	300
CU/401020	1	7,2	40	10	2000	400
CU/501020	1	8,9	50	10	2000	500
CU/601020	1	10,7	60	10	2000	600
CU/801020	1	14,3	80	10	2000	800
CU/1001020	1	17,8	100	10	2000	1000
CU/1201020	1	23,8	120	10	2000	1200
CU/1601020	1	28,5	160	10	2000	1600
CU/2001020	1	35,6	200	10	2000	2000

### VANTAGGI

- Velocità di assemblaggio
- Funzionale
- Robusto

### CARATTERISTICHE TECNICHE

- Poliammide 6/6 rinforzato con fibra di vetro
- Autoestinguenza: UL 94-V0
- Temperatura di esercizio continuo: 113° C
- Glow wire test: 965° C
- Colore nero



### CERTIFICAZIONI

<b>B8020496</b>	Verifica della tenuta al corto circuito dei circuiti principali	Inom=6300 A Icc=105 kA
-----------------	---	---------------------------

DIMENSIONI BARRA	^T30°C				^T50°C			
	BARRA	BARRA	BARRA	BARRA	BARRA	BARRA	BARRA	BARRA
20x5	274	500	690	/	363	663	914	/
40x5	482	836	1090	/	639	1108	1444	/
50x5	583	994	1260	1411	772	1317	1670	1870
60x5	688	1150	1440	1613	912	1524	1908	2137
100x5	1080	1730	2050	2296	1431	2292	2716	3042
40x6	533	924	1219	/	704	1220	1608	/
30x8	499	852	1068	/	659	1125	1409	/
40x8	628	1034	1258	/	828	1365	1660	/
50x8	752	1208	1427	/	993	1594	1884	/
30x10	573	986	1289	/	756	1300	1701	/
40x10	715	1230	1609	/	944	1624	2124	/
50x10	852	1510	2040	/	1129	2001	2703	/
60x10	985	1720	2300	/	1305	2279	3048	/
80x10	1240	2110	2790	/	1643	2796	3697	/
100x10	1490	2480	3260	/	1974	3286	4320	/
120x10	1740	2860	3740	/	2306	3790	4956	/
160x10	2220	3590	4680	/	2942	4757	6201	/
200x10	2690	4310	5610	/	3564	5711	7433	/